

Table Saw - F 012 702 000 - SPT70WT

Item	Part Number	Description	Illustration	Price	Quantity	Price Group
	2 2 610 043 262	Mounting Rail		1 \$ 4.94	2	19
	3 2 610 043 267	Sliding Plate		1 \$ 1.12	2	11
	4 2 610 951 945	Screw		1 \$ 0.68	7	10
	5 2 610 043 270	Hex Screw		1 \$ 0.68	1	10
	6 2 610 043 272	Spring Washer		1 \$ 0.68	3	10
	7 2 610 043 273	Bar		2 \$ 0.68	1	10
	8 2 610 043 276	Eccentric		2 \$ 2.58	2	15
	9 2 610 043 277	Rivet		2 \$ 0.68	2	10
	10 2 610 015 075	Washer		2 \$ 0.68	2	10
	11 2 610 015 067	Spring		2 \$ 0.68	1	10
	12 2 610 015 031	Spring retaining ring		2 \$ 0.68	2	10
	13 2 610 043 281	Locking Pin		2 \$ 0.68	2	10
	14 2 610 043 282	Bar		2 \$ 0.68	1	10
	15 2 610 014 698	Nut		2 \$ 0.68	1	10
	16 2 610 996 920	Connecting Nut		2 \$ 2.94	1	16
	17 2 610 015 004	Rod		2 \$ 2.58	1	15
	18 2 610 043 286	Bracket		2 \$ 1.12	1	11
	20 2 610 043 288	Compression Spring		2 \$ 0.68	1	10
	22 2 610 043 290	Pan head screw		2 \$ 0.68	4	10
	23 2 610 043 291	Fixing Plate		1 \$ 1.12	2	11
	25 2 610 043 293	End cap		1 \$ 0.68	1	10
	26 2 610 043 294	End cap		1 \$ 0.68	1	10
	27 2 610 043 295	Hex Screw		1 \$ 0.68	1	10
	28 2 610 043 296	Scale		1 \$ 1.12	1	11
	29 2 610 043 297	Sliding Rail		1 \$ 11.12	1	25
	30 2 610 043 298	End cap		1 \$ 0.68	1	10
	31 2 610 043 299	End cap		1 \$ 0.68	1	10
	32 2 610 043 300	Clamp Handle		2 \$ 1.36	1	12
	33 2 610 043 301	Cam		2 \$ 3.73	1	17
	34 2 610 997 276	Spring retaining ring		2 \$ 1.12	2	11
	35 2 610 043 303	Plain Washer		2 \$ 0.68	2	10
	37 2 610 043 305	Retaining Plate		1 \$ 0.68	2	10

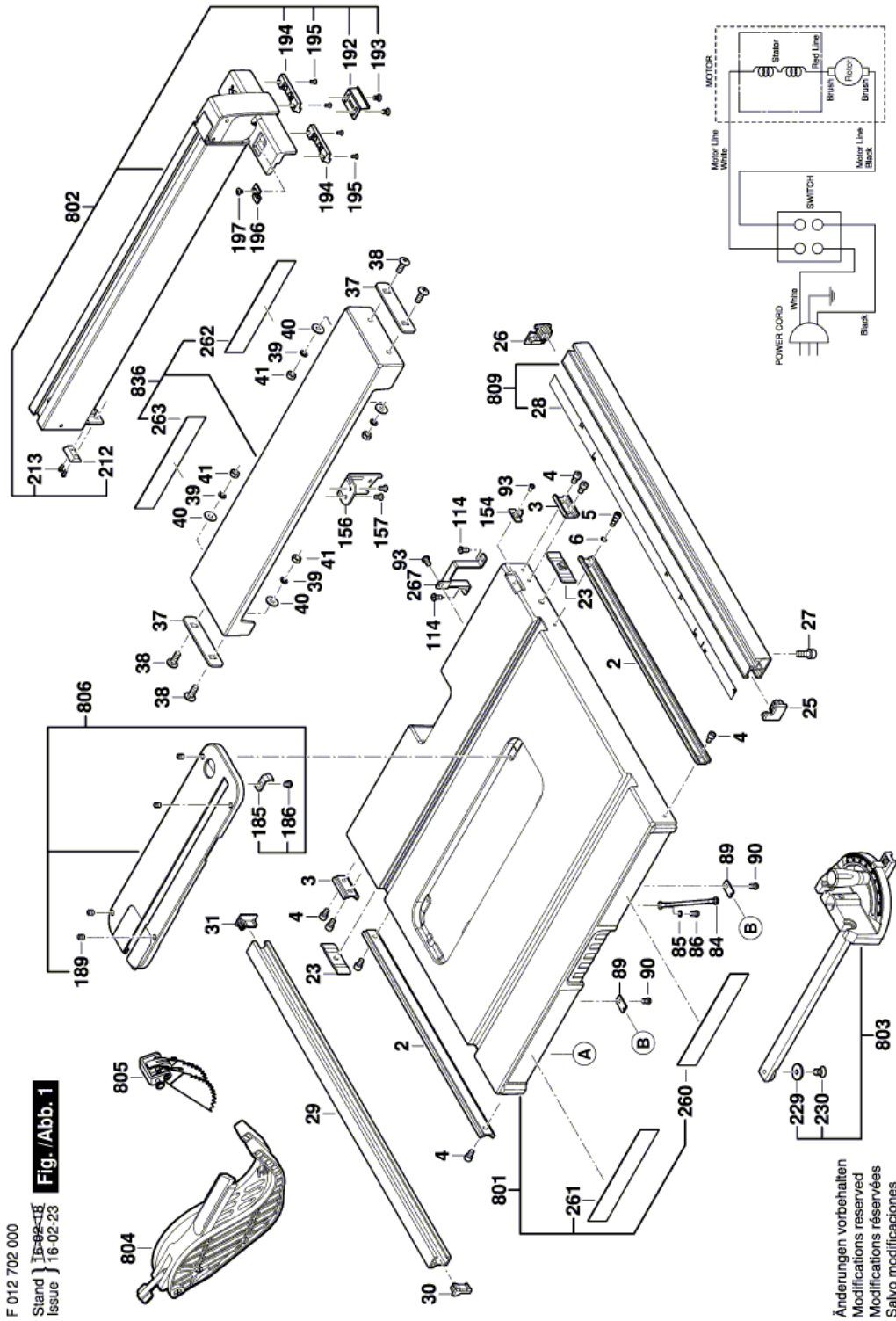
Item	Part Number	Description	Illustration	Price	Quantity	Price Group
38	2 610 043 306	Collar bolt		1 \$ 0.68	4	10
39	2 610 043 307	Spring Washer		1 \$ 0.68	4	10
40	2 610 910 013	Washer		1 \$ 1.36	4	12
41	2 610 015 008	Nut		1 \$ 0.68	4	10
42	2 610 043 310	Holding Plate		3 \$ 22.00	1	32
44	2 610 043 345	Motor assembly		3 \$ 173.00	1	50
44/2	1 619 P13 418	Field		4 \$ 22.00	1	32
44/3	1 619 P13 838	Armature		4 \$ 34.00	1	36
44/13	2 610 017 348	groove ball bearing		4 \$ 2.01	1	14
44/14	2 610 024 748	Ball Bearing		4 \$ 2.58	1	15
44/25	1 619 X06 474	Oil Drain Plug		4 \$ 1.70	1	13
44/30	1 619 X09 227	Gear Housing		4 \$ 24.00	1	33
44/31	2 610 017 875	Ball Bearing		4 \$ 2.94	1	16
44/42	1 619 X01 253	Bearing Plate		4 \$ 4.31	1	18
44/43	1 619 X09 228	Guard Plate		4 \$ 1.70	1	13
44/45	1 619 X09 232	Cover		4 \$ 1.12	1	11
44/46	1 619 X01 268	Device cap		4 \$ 1.12	2	11
44/47	1 619 X04 712	O-Ring		4 \$ 0.68	1	10
44/48	1 619 X04 780	Collar		4 \$ 6.57	1	21
44/55	1 619 X04 676	Ball Bearing		4 \$ 2.58	1	15
44/59	1 619 X03 644	Screw		4 \$ 0.68	1	10
44/60	1 619 X06 222	O-Ring		4 \$ 0.68	1	10
44/64	1 619 X01 786	Contact Screw		4 \$ 0.68	3	10
44/67	1 619 X04 687	O-Ring		4 \$ 0.68	1	10
44/69	1 616 B10 364	O-Ring		4 \$ 0.68	1	10
44/71	1 619 X09 452	Screw		4 \$ 0.68	4	10
44/73	2 610 004 459	Spring Washer		4 \$ 1.12	2	11
44/74	1 619 X09 233	Rubber Gasket		4 \$ 0.68	1	10
44/75	1 619 X07 731	Seal		4 \$ 2.58	1	15
44/78	1 619 X04 740	Seal		4 \$ 4.31	1	18
44/81	1 619 P01 508	Screw		4 \$ 0.68	2	10
44/82	1 600 210 070	O-Ring		4 \$ 0.68	1	10
44/84	2 610 318 324	Nut		4 \$ 1.12	1	11
44/86	1 619 X04 746	Screw		4 \$ 0.68	4	10
44/90	1 619 X01 260	Bearing Cover		4 \$ 1.12	1	11
44/91	1 619 X06 749	Screw		4 \$ 0.68	4	10
45	2 610 043 311	Torsion Spring		3 \$ 0.68	1	10
46	2 610 043 312	Stop Plate		3 \$ 3.73	1	17
48	2 610 043 313	Special Screw		3 \$ 0.68	2	10
50	2 610 043 314	Guard Plate		3 \$ 0.68	1	10
51	2 610 915 162	Screw		3 \$ 1.36	1	12
52	2 610 043 316	Hex Screw		3 \$ 0.68	1	10
53	2 610 043 317	Guard Plate		3 \$ 0.68	1	10
54	2 610 043 318	Pan head screw		3 \$ 0.68	2	10
57	2 610 043 319	Rod		3 \$ 2.58	1	15
58	2 610 043 320	Washer		3 \$ 0.68	2	10
59	2 610 950 389	Washer		3 \$ 0.68	5	10
60	2 610 043 322	Threaded Rod		3 -,-	1	-
61	2 610 043 323	Gear		3 \$ 1.70	2	13
62	2 610 043 324	Support Plate		3 \$ 1.12	1	11

Item	Part Number	Description	Illustration	Price	Quantity	Price Group
63	2 610 015 045	Screw		3 \$ 0.68	1	10
64	2 610 043 326	Hex Screw		3 \$ 0.68	1	10
65	2 610 043 327	Plain Washer		3 \$ 0.68	1	10
66	2 610 043 328	Drive Shaft		3 \$ 2.58	1	15
67	2 610 043 329	Hex Screw		3 \$ 0.68	2	10
69	2 610 043 330	Support Plate		3 \$ 4.94	2	19
70	2 610 015 048	Bushing		3 \$ 0.68	1	10
71	2 610 997 282	Spring retaining ring		3 \$ 0.68	1	10
72	2 610 950 055	Screw		3 \$ 0.68	2	10
73	2 610 015 049	Bushing		3 \$ 3.73	1	17
74	2 610 911 902	Clip		3 \$ 0.68	1	10
75	2 610 043 338	Pan head screw		4 \$ 0.68	1	10
76	2 610 043 339	Nut		4 \$ 0.68	1	10
78	2 610 043 341	Support bracket		3 \$ 2.58	2	15
79	2 610 043 342	Bushing		3 \$ 0.68	2	10
80	2 610 043 343	Washer		3 \$ 0.68	4	10
82	2 610 014 525	Washer		3 \$ 0.68	2	10
83	2 610 014 524	Screw		3 \$ 0.68	2	10
84	2 610 043 347	Grounding Cable		1 \$ 1.12	1	11
85	2 610 043 348	Toothed lock washer		1 \$ 0.68	3	10
86	2 610 043 349	Pan head screw		1 \$ 0.68	3	10
87	2 610 043 350	Guard Plate		3 \$ 2.58	1	15
88	2 610 043 351	Torsion Spring		3 \$ 0.68	1	10
89	2 610 043 352	Fixing Plate		1 \$ 0.68	2	10
90	2 610 015 065	Screw		1 \$ 0.68	5	10
92	2 610 043 355	Spring		2 \$ 0.68	1	10
93	2 610 950 077	Screw		1 \$ 0.68	4	10
94	2 610 043 357	Foot Cover		2 \$ 0.68	4	10
95	2 610 043 358	Foot Cover		2 \$ 0.68	4	10
96	2 610 043 359	Stand Foot		2 \$ 1.12	4	11
97	2 610 043 360	Tapping Screw		2 \$ 0.68	4	10
98	2 610 043 361	Tapping Screw		2 \$ 0.68	8	10
99	2 610 043 362	Handle		2 \$ 1.70	1	13
100	2 610 950 108	Screw		2 \$ 0.68	2	10
102	2 610 043 364	Hex Screw		2 \$ 0.68	2	10
103	2 610 043 365	Spring Clip		2 \$ 0.68	1	10
104	2 610 043 366	Spring Clip		2 \$ 0.68	1	10
106	2 610 043 368	Plain Washer		2 \$ 0.68	2	10
108	2 610 043 370	Holder		3 \$ 1.70	1	13
109	2 610 043 371	Pan head screw		3 \$ 0.68	4	10
110	2 610 043 372	Special Screw		2 \$ 0.68	8	10
111	2 610 043 373	Front Panel		2 \$ 11.12	1	25
112	2 610 043 374	Holder Plate		2 \$ 4.31	1	18
113	2 610 043 375	Spring		2 \$ 0.68	1	10
114	2 610 043 376	Tapping Screw		1 \$ 0.68	6	10
116	2 610 043 378	Cam		3 \$ 1.12	2	11
117	2 610 016 557	Washer		3 \$ 0.68	2	10
118	2 610 998 572	Screw		3 \$ 0.68	3	10
119	2 610 043 381	Plain Washer		3 \$ 0.68	2	10
120	2 610 015 061	Bushing		3 \$ 1.12	1	11

Item	Part Number	Description	Illustration	Price	Quantity	Price Group
121	2 610 043 383	Handle	3	\$ 1.36	1	12
122	2 610 015 359	Screw	3	\$ 0.68	1	10
126	2 610 043 387	Handwheel	3	\$ 2.01	1	14
127	2 610 043 388	Knob	3	\$ 0.68	1	10
128	2 610 043 389	Plain Washer	3	\$ 0.68	1	10
130	2 610 950 060	Screw	3	\$ 0.68	1	10
132	2 610 016 566	Washer	3	\$ 0.68	1	10
133	2 610 043 394	Pointer	3	\$ 0.68	1	10
135	2 610 043 396	Spindle Holder	3	\$ 4.31	1	18
137	2 610 043 397	Clamping Flange	3	\$ 1.36	1	12
138	2 610 043 398	Flange nut	3	\$ 1.12	1	11
139	2 610 043 399	Cover	3	\$ 4.94	1	19
140	2 610 950 049	Screw	2	\$ 0.68	8	10
141	2 610 950 117	Screw	3	\$ 0.68	4	10
142	2 610 015 058	Washer	3	\$ 0.68	3	10
143	2 610 043 403	Box Wrench	3	\$ 2.01	1	14
144	2 610 043 404	Plain Washer	3	\$ 0.68	1	10
145	2 610 043 405	Wing Nut	3	\$ 0.68	1	10
146	2 610 911 920	Rubber Bushing	3	\$ 1.12	1	11
147	2 610 015 059	Wrench Socket	3	\$ 0.68	1	10
148	2 610 043 408	Cable Clip	3	\$ 0.68	1	10
150	2 610 043 410	Dust-Cover Holder	3	\$ 2.58	1	15
151	2 610 024 770	Screw	3	\$ 0.68	1	10
152	2 610 013 094	Washer	3	-,-	1	-
153	2 610 015 053	Spring retaining ring	3	\$ 0.68	1	10
154	2 610 015 010	Pointer	1	\$ 0.68	1	10
156	2 610 043 416	Support bracket	1	\$ 1.12	1	11
157	2 610 950 418	Screw	1	\$ 0.68	1	10
158	2 610 043 418	On-Off Switch	3	\$ 7.57	1	22
159	2 610 043 419	Switch Cover	3	\$ 2.58	1	15
160	2 610 043 420	Switch Housing	3	\$ 2.01	1	14
162	2 610 043 422	Tapping Screw	3	\$ 0.68	4	10
163	2 610 043 423	Power supply cord	3	\$ 15.00	1	28
164	2 610 043 424	Junction Box	3	\$ 0.68	2	10
178	2 610 013 068	Plastic Nut	2	-,-	5	-
180	2 610 998 580	Screw	4	\$ 0.68	2	10
181	2 610 911 896	Nut	4	\$ 0.68	1	10
182	2 610 950 069	Screw	4	\$ 0.68	2	10
185	2 610 011 716	Holding Spring	1	-,-	1	-
186	2 610 950 089	Screw	1	\$ 0.68	1	10
189	2 610 950 091	Set screw	1	\$ 0.68	4	10
192	2 610 043 447	Spring	1	\$ 0.68	1	10
193	2 610 043 448	Pan head screw	1	\$ 0.68	2	10
194	2 610 043 449	Pad	1	\$ 0.68	2	10
195	2 610 043 450	Cross Recessed-Head Screw	1	\$ 0.68	4	10
196	2 610 043 451	Pointer	1	\$ 0.68	1	10
197	2 610 043 452	Cross Recessed-Head Screw	1	\$ 0.68	1	10
212	2 610 043 467	Clamp block	1	\$ 1.12	1	11
213	2 610 043 468	Pan head screw	1	\$ 0.68	2	10
229	2 610 950 146	Washer	1	\$ 0.68	1	10

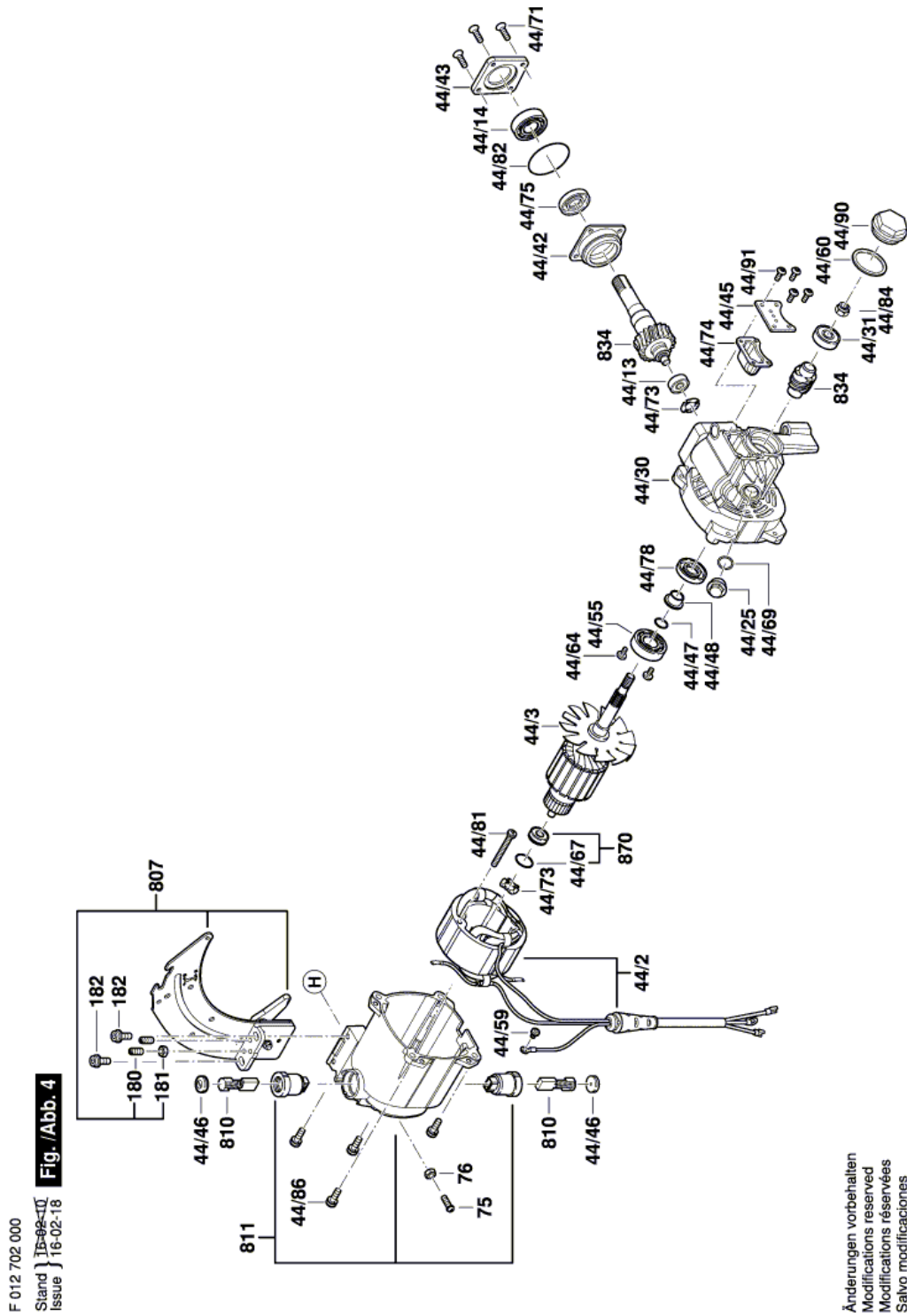
Item	Part Number	Description	Illustration	Price	Quantity	Price Group
230	2 610 950 147	Screw	1	\$ 0.68	1	10
258	2 610 043 510	Workpiece Pusher	3	\$ 2.58	1	15
260	2 610 043 259	Warning Label	1	\$ 0.68	1	10
261	2 610 043 260	Warning Label	1	\$ 0.68	1	10
262	2 610 043 257	Warning Label	1	\$ 0.68	1	10
263	2 610 043 258	Warning Label	1	\$ 0.68	1	10
267	2 610 043 513	Support Plate	1	\$ 0.68	1	10
270	2 610 043 256	Warning Label	3	\$ 0.68	1	10
801	2 610 043 520	Table	1	\$ 64.50	1	42
802	2 610 043 521	Edge Guide	1	-,-	1	-
803	2 610 043 522	Mitre Gauge	1	\$ 15.00	1	28
804	2 610 034 029	Protection	1	-,-	1	-
805	2 610 043 524	Safety Device	1	\$ 12.36	1	26
806	2 610 043 525	Mounting Insert	1	-,-	1	-
807	2 610 043 526	Riving Knife	4	\$ 19.50	1	31
808	2 610 043 527	Front Panel	3	\$ 16.00	1	29
809	2 610 043 528	Sliding Rail	1	\$ 16.00	1	29
810	1 607 014 17W	Carbon-Brush Set	4	\$ 5.72	1	20
811	1 619 X09 695	Motor Housing	4	\$ 24.00	1	33
834	1 600 A00 P91	Set Of Gears	4	\$ 34.00	1	36
836	2 610 043 529	Guide Plate	1	\$ 22.00	1	32
859	2 610 043 523	Nameplate	3	\$ 2.94	1	16
870	1 619 X09 015	groove ball bearing	4	-,-	1	-
871	2 610 048 044	Service kit	3	\$ 0.68	1	10
891	2 610 043 530	Base Frame	2	\$ 49.00	1	39
893	2 610 043 425	Pan head screw	2	\$ 2.58	1	15
894	2 610 043 554	Stand Foot	2	\$ 1.12	3	11
895	2 610 043 549	Clip	2	\$ 1.12	1	11
896	2 610 043 548	Lever	2	\$ 1.12	1	11
897	2 610 043 557	locking ring	2	\$ 1.12	1	11
898	2 610 043 555	Adjustable Foot	2	\$ 1.12	1	11
899	2 610 043 587	Flange	3	\$ 2.94	1	16

Illustration - Type E



F 012 702 000
 Stand } 16-02-23
 Issue }
Fig. / Abb. 1

Illustration - Type E



Information subject to change without further notice.