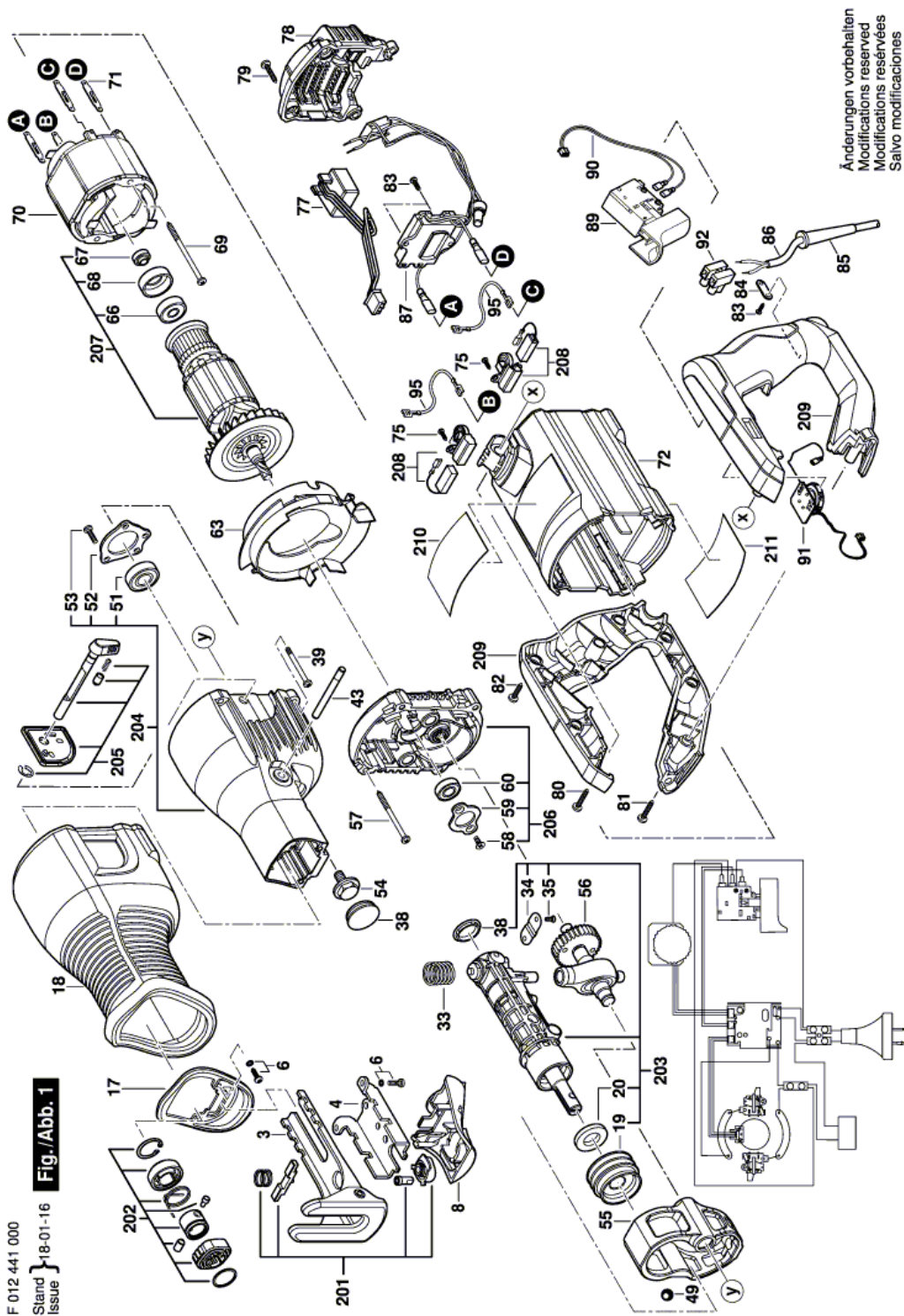


## Reciprocating saw - F 012 441 000 - SPT44

Item	Part Number	Description	Illustration	Price	Quantity	Price Group
3	1 609 730 108	Supporting foot	1	\$ 5.72	1	20
4	1 609 730 109	Retaining Plate	1	\$ 1.70	1	13
6	1 609 730 073	Screw	1	\$ 0.68	4	10
8	1 609 730 110	Support Plate	1	\$ 1.12	1	11
17	1 609 730 111	Cover Plate	1	\$ 1.36	1	12
18	1 609 730 112	Insulating Sleeve	1	\$ 9.84	1	24
19	1 609 730 113	Seal Bushing	1	\$ 3.73	1	17
20	2 610 009 974	Felt Washer	1	\$ 0.68	1	10
33	1 609 730 114	Compression Spring	1	\$ 0.68	1	10
34	1 609 730 115	Clamp	1	\$ 0.68	1	10
35	1 609 730 116	Screw	1	\$ 0.68	2	10
38	2 610 009 982	Sealing cap	1	\$ 0.68	2	10
39	1 609 730 117	Screw	1	\$ 0.68	4	10
43	1 609 730 118	Pin	1	\$ 0.68	1	10
49	2 610 013 240	steel ball	1	\$ 0.68	1	10
51	2 610 009 986	Ball Bearing	1	\$ 5.72	1	20
52	1 609 730 081	Retaining plate	1	\$ 0.68	1	10
53	1 609 730 119	Screw	1	\$ 0.68	4	10
54	1 609 730 080	Bolt	1	\$ 1.12	1	11
55	1 609 730 120	Counterweight	1	\$ 26.50	1	34
56	1 609 730 121	Gear	1	\$ 26.50	1	34
57	1 609 730 382	Screw	1	\$ 0.68	4	10
58	1 609 730 383	Screw	1	\$ 0.68	2	10
59	1 609 730 088	Retaining plate	1	\$ 1.12	1	11
60	1 609 730 384	Ball Bearing	1	\$ 1.70	1	13
63	1 609 730 385	Baffle	1	\$ 0.68	1	10
66	2 610 010 004	Ball Bearing	1	\$ 2.58	1	15
67	1 609 730 386	Magnet	1	\$ 2.58	1	15
68	1 609 730 092	Bearing Sleeve	1	\$ 0.68	1	10
69	1 609 730 093	Screw	1	\$ 0.68	2	10
70	1 609 730 094	Field	1	\$ 19.50	1	31
71	2 610 956 878	connecting terminal	1	\$ 1.12	4	11

Item	Part Number	Description	Illustration	Price	Quantity	Price Group
72	1 609 730 387	Motor Housing	1	\$ 11.12	1	25
75	2 610 010 013	Thread-forming tap. Screw	1	\$ 0.68	4	10
77	1 609 730 388	Electronic Assembly	1	\$ 2.01	1	14
78	1 609 730 389	Cover	1	\$ 2.01	1	14
79	1 609 730 098	Screw	1	\$ 0.68	4	10
80	1 609 730 390	Screw	1	\$ 0.68	1	10
81	1 609 730 391	Screw	1	\$ 0.68	1	10
82	1 609 730 100	Screw	1	\$ 0.68	6	10
83	1 609 730 102	Screw	1	\$ 0.68	4	10
84	1 609 730 392	Cable Clip	1	\$ 0.68	1	10
85	1 609 730 393	Cord guard	1	\$ 0.68	1	10
86	1 609 730 394	Power supply cord	1	\$ 11.12	1	25
87	1 609 730 395	Electronic Module	1	-,-	1	-
89	1 609 730 396	Switch	1	\$ 15.00	1	28
90	1 609 730 397	connection cable PK	1	\$ 0.68	1	10
91	1 609 730 398	Electronic Speed Switch	1	\$ 3.73	1	17
92	1 619 P11 754	Terminal Block	1	\$ 1.12	1	11
95	1 609 730 399	connection cable PK	1	-,-	2	-
201	1 609 730 400	Locking Set	1	-,-	1	-
202	1 609 730 401	Blade Holder	1	-,-	1	-
203	1 609 730 402	Spindle Assembly	1	-,-	1	-
204	1 609 730 403	Gear Housing	1	-,-	1	-
205	1 609 730 404	Lever	1	-,-	1	-
206	1 609 730 405	Flange	1	-,-	1	-
207	1 609 730 406	Armature	1	-,-	1	-
208	1 609 730 407	Carbon-Brush Set	1	-,-	1	-
209	1 609 730 408	Handle	1	-,-	1	-
210	1 609 730 411	Nameplate	1	\$ 0.68	1	10
211	1 609 730 107	Label	1	\$ 1.36	1	12

Illustration - Type E



Information subject to change without further notice.