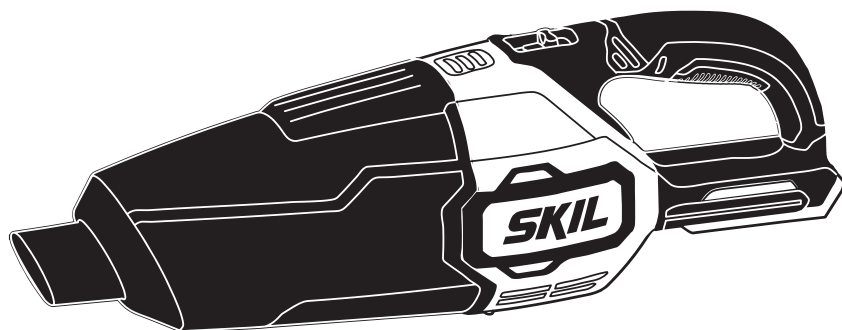


# SKIL®



Model: VA5936E-00

**PWRCORE 20™**

**Cordless Handheld Vacuum**

**⚠ WARNING:** To reduce the risk of injury, the user must read and understand the Owner's Manual before using this product. Save these instructions for future reference.



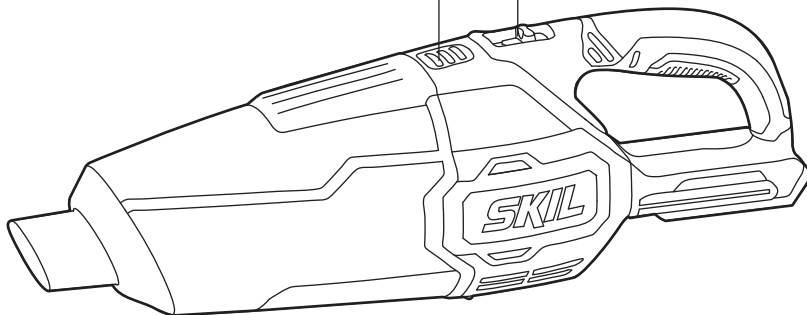
*For Customer Service*

**1300-017-545 OR [www.skil.com.au](http://www.skil.com.au)**

1

Dust-Canister Release  
Button

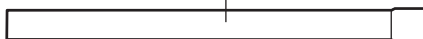
ON/OFF Switch



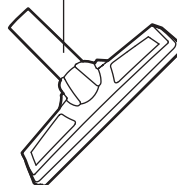
Crevice Nozzle



Extension Tube

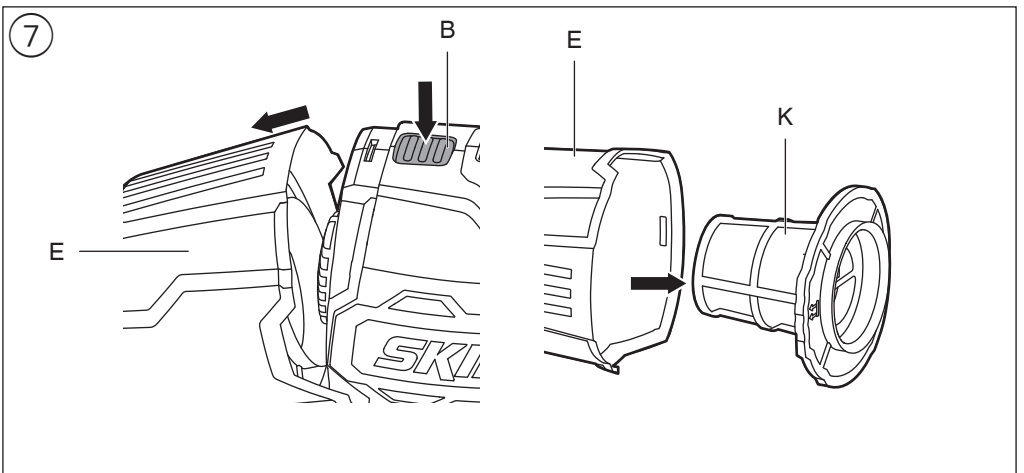
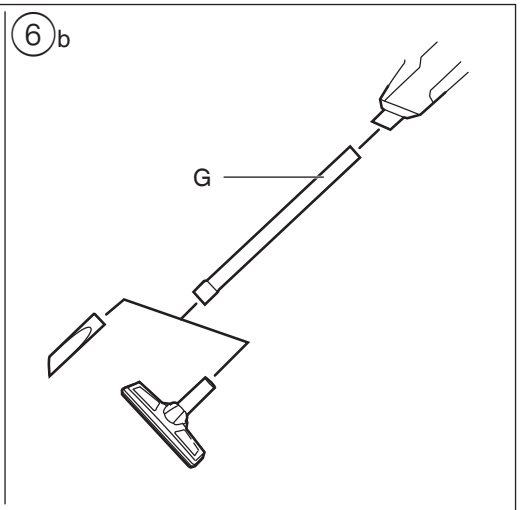
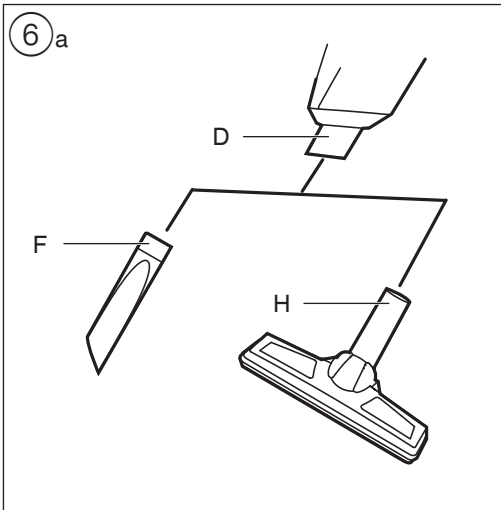
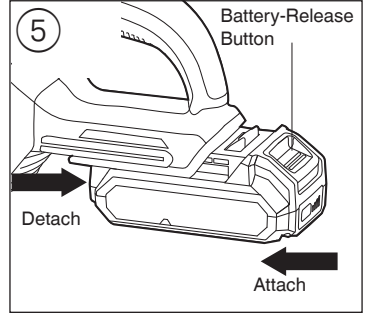
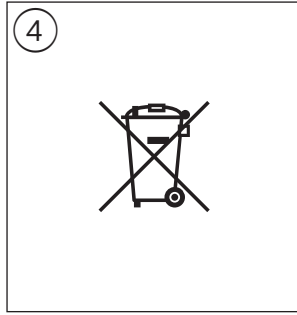
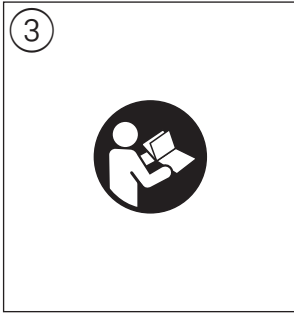


Wide Nozzle

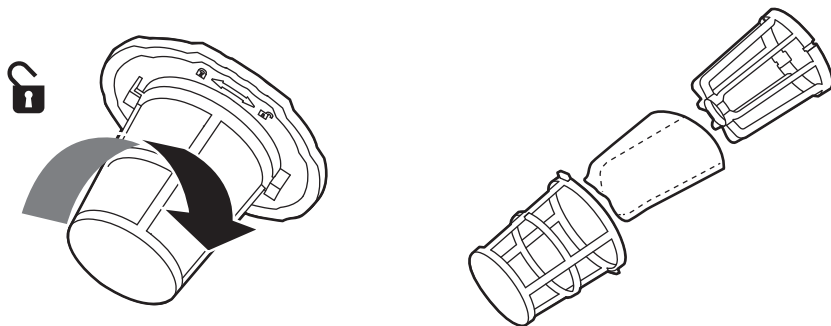


## 2 SPECIFICATIONS

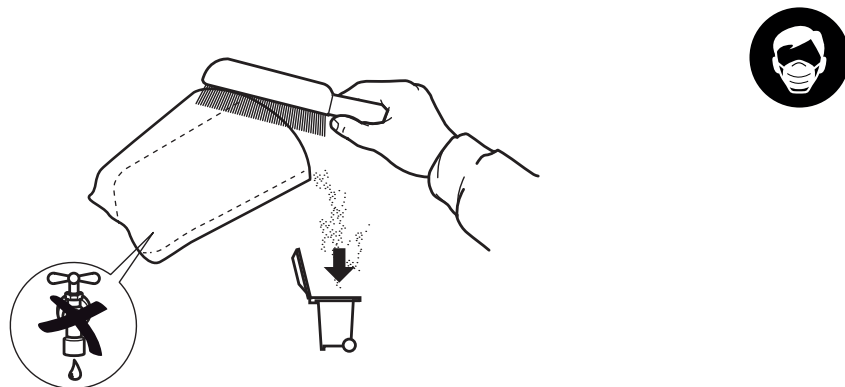
Rated Voltage	18V d.c. (20V max)
Recommended working temperature	-20° ~ 50°C
Recommended storage temperature	-20° ~ 50°C



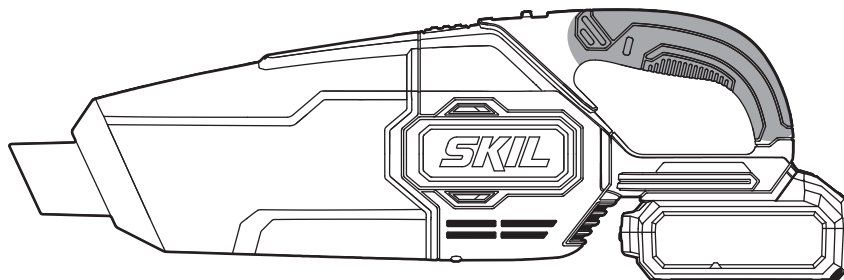
8 a



8 b



9



## INTRODUCTION

- This tool is intended for dry vacuum cleaning purposes and for domestic use only
- This tool is not intended for professional use
- **Read this instruction manual carefully before use and save it for future reference**

## SAFETY

- **This tool can be used by children aged 8 and above and by persons who have physical, sensory or mental limitations or a lack of experience or knowledge if a person responsible for their safety supervises them or has instructed them in the safe operation of the tool and they understand the associated dangers** (otherwise, there is a danger of operating errors and injuries)
- **Supervise children** (this will ensure that children do not play with the tool)
- **Cleaning and user maintenance of the tool shall not be made by children without supervision**
- **Do not use the appliance to vacuum liquids**
- **Do not vacuum flammable or explosive materials**
- **Do not expose power tools to rain or wet conditions** (water entering a power tool will increase the risk of electric shock)
- **Never vacuum materials that contain asbestos** (asbestos is considered carcinogenic)
- **Do not vacuum explosive dusts** (such as coal dust, magnesium dust, grain dust)
- **Do not vacuum toxic materials**
- **Never vacuum hot ashes or pointed/sharp objects**
- **Do not operate the appliance in rooms where the danger of an explosion exists**
- Keep the ventilation slots uncovered during vacuuming
- Store the tool indoors in a dry and locked-up place, out of reach of children
- Do not use appliance when damaged; take it to one of the officially registered SKIL Service Stations for a safety check
- **Have your power tool serviced by a qualified repair person using only identical replacement parts.**
- **This will ensure that the safety of the power tool is maintained.**
- Provide for good ventilation at the working place
- Never operate the appliance without the necessary filters as described in this manual
- Use extra care when cleaning on stairs

## BATTERIES

- **Rechargeable batteries are to be removed from the appliance before being charged**
- **Exhausted batteries are to be removed from the appliance and safely disposed of**
- **If the appliance is to be stored unused for a long period, the batteries should be removed**
- **The supply terminals are not to be short-circuited**
- **The battery supplied is partially charged** (to ensure full capacity of the battery, completely charge the battery in the battery charger before using your power tool for the first time)
- **Recharge only with the charger specified by the manufacturer.** A charger that is suitable for one type

of battery pack may create a risk of fire when used with another battery pack.

- **Use power tools only with specifically designated battery packs.** Use of any other battery packs may create a risk of injury and fire.
- **Only use the following batteries and chargers with this tool**
  - SKIL battery: BY5197E-03 BY5196E-03
  - SKIL charger: SC5358E-01 QC5360E-01
- **When battery pack is not in use, keep it away from other metal objects like paper clips, coins, keys, nails, screws, or other small metal objects that can make a connection from one terminal to another.** Shorting the battery terminals together may cause burns or a fire.
- **Under abusive conditions, liquid may be ejected from the battery; avoid contact. If contact accidentally occurs, flush with water. If liquid contacts eyes, additionally seek medical help.** Liquid ejected from the battery may cause irritation or burns.
- **Do not use a battery pack or tool that is damaged or modified.** Damaged or modified batteries may exhibit unpredictable behaviour resulting in fire, explosion or risk of injury.
- **Do not expose a battery pack or tool to fire or excessive temperature.** Exposure to fire or temperature above 130°C may cause explosion.
- **Follow all charging instructions and do not charge the battery pack or tool outside the temperature range specified in the instructions.** Charging improperly or at temperatures outside the specified range may damage the battery and increase the risk of fire.
- Permitted ambient temperature (tool/charger/battery):
  - when charging 4...40°C
  - during operation -20...+50°C
  - during storage -20...+50°C
- **Never service damaged battery packs.** Service of battery packs should only be performed by the manufacturer or authorized service providers.

## EXPLANATION OF SYMBOLS ON TOOL/BATTERY

- Read the instruction manual before use ③
- Do not dispose of electric tools and batteries together with household waste material ④

## USE

- Charging battery
  - ! **read the safety warnings and instructions provided with the charger**
- Removing/installing the battery ⑤
- On/off
  - switch on/off the tool by pushing switch forward/backwards
- Mounting/removing accessories ⑥
  - connect nozzle to intake port
  - optionally use extension tube
  - for removing accessories handle vice-versa
- Empty dust compartment ⑦
  - ! **remove battery from tool before cleaning**
  - press release button B and remove dust compartment E
  - remove filter K from dust compartment as illustrated

- clean filter if necessary (see below)
- empty dust compartment
- put back filter into dust compartment
- mount dust compartment onto appliance (make sure the dust compartment clicks into place)
- ! never use the appliance without filter**
- ! optimal dust pick-up performance will only be achieved with a clean filter and an empty dust compartment**
- Cleaning of dust filter ⑧
  - regularly clean the carefully removed dust filter by gently tapping or brushing dirt off (wear dust mask)
  - do not clean indoors in living areas
  - ! do not wash filter with soap and water**
  - for picking up dust the dust filter needs to be dry
  - if the dust filter is wet, it will clog quickly and be very difficult to clean
  - ! do not use a dust filter with tears or small holes; replace it immediately**
- Holding and guiding the tool ⑨
  - ! while working, always hold the tool at the grey-coloured grip area(s)**
  - keep ventilation slots uncovered
- Battery protection
  - Switches off the tool or prevents the tool from being switched on, when
    - the battery temperature is not within the allowable operating temperature range of -20 to +50°C
    - the lithium-ion battery is nearly empty (to protect against deep discharge)
  - ! do not continue to press the on/off switch after the tool is switched off automatically; battery may be damaged**

## MAINTENANCE

- This tool is not intended for professional use
- Always keep tool clean (especially ventilation slots)
  - ! remove battery from tool before cleaning**
  - clean ventilation slots regularly with a brush or compressed air

## ENVIRONMENT

- **Do not dispose of electric tools, batteries, accessories and packaging together with household waste material. The electric tools, accessories and packaging should be sorted for environmental-friendly recycling**
- ! prior to disposal protect battery terminals with heavy tape to prevent short-circuit**

# WARRANTY

## SKIL WARRANTY POLICY

For all SKIL warranty & enquiries, please contact 1300 01 SKIL (1300 01 7545) Monday to Friday 9:00am to 5:00pm EST

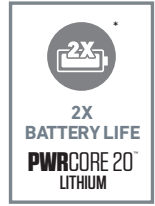
Chervon Australia Pty Ltd ABN 36 165 077 501 ("Chervon") warrants to the original domestic purchaser that this product will be free from defects in materials and workmanship for 5 years from date of purchase, and any battery or charger will be free from defects in materials and workmanship for 3 years from date of purchase. Please note SKIL products are intended for DIY (Do It Yourself) use only. SKIL Products are not designed or intended for commercial or trade use and if the products are used in any commercial or trade applications, the warranty will not apply. Consumables will be covered by a 3-month warranty and a complete list can be found inside the manual. This SKIL product warranty is only applicable to purchases from authorised SKIL retailers. This warranty will not apply to SKIL products that are purchased from Amazon, eBay and any other non-authorised online retailer. This SKIL product warranty does not apply to any parallel imported product and does not apply to any SKIL products that are not purchased from an authorised SKIL retailer. To make a claim, return the faulty item together with proof of purchase directly to your closest service agent or to the place of purchase. Any handling and transportation costs (and other expenses incurred in claiming this warranty) are not covered by this warranty and will not be borne by Chervon. The replacement product or part or repaired product will be made available for your collection at an address nominated by Chervon. Where a valid warranty claim is made, Chervon will replace the defective product or repair the fault. Where the product is repaired, Chervon may use refurbished parts. This warranty does not cover normal wear and tear, misuse or abuse. This warranty may also be further limited or voided as specifically detailed in the product Manual. Chervon has no other liability under this warranty. The benefits to you given by this warranty are in addition to other rights and remedies imposed by State and Federal legislation that cannot be excluded. Our goods come with guarantees that cannot be excluded under the Australian Consumer Law. You are entitled to a replacement or refund for a major failure and compensation for any other reasonably foreseeable loss or damage. You are also entitled to have the goods repaired or replaced if the goods fail to be of acceptable quality and the failure does not amount to a major failure. Chervon Australia Pty Ltd, Unit 14, 5 Kelletts Road, Rowville, VIC. 3178. Ph: 1300 01 SKIL (1300 01 7545). Email: support@skil.com.au

The following consumables have a 3-month warranty period:

Brushes	Collets
Dust canisters	Angle grinder flanges
Allen keys	Chucks



Industry leading battery technology wraps each cell with cooling material to keep the battery powering on for 25% longer run time compare to general battery technology.



SKIL's patented technology extends the battery life 2X longer compare to general battery technology.

