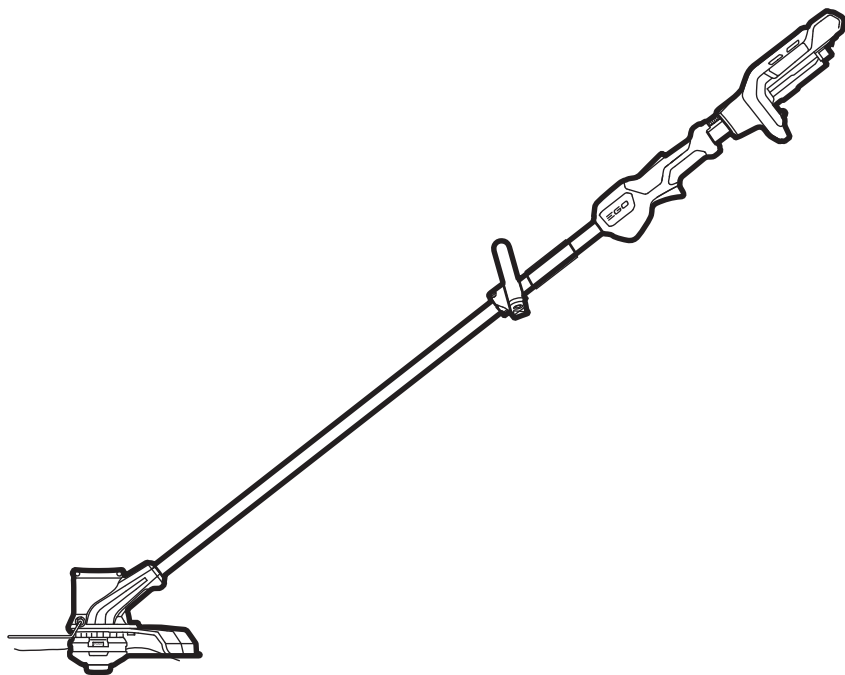


EGO™

POWER⁺ LINE TRIMMER



OPERATING MANUAL
**56-VOLT LITHIUM-ION
CORDLESS
LINE TRIMMER**

MODEL NUMBER ST1200E

⚠ WARNING: To reduce the risk of injury, the user must read and understand the Operator's Manual before using this product. Save these instructions for future reference.

TABLE OF CONTENTS

Read All Instructions	3
Safety Symbols	4
Safety Instructions.....	5-10
Introduction	11
Specifications	11
Assembly	12-14
Packing List	14
Description	15-16
Operation	17-26
Maintenance	27-28
Troubleshooting	29
Warranty	30-31
Parts List	32-33

READ ALL INSTRUCTIONS!



READ & UNDERSTAND INSTRUCTION MANUAL

This line trimmer has many features for making its use more pleasant and enjoyable. Safety, performance, and dependability have been given top priority in the design of this product making it easy to maintain and operate.

⚠ DANGER! People with electronic devices, such as pacemakers, should consult their physician(s) before using this product. Operation of electrical equipment in close proximity to a heart pacemaker could cause interference or failure of the pacemaker.

⚠ WARNING: To ensure safety and reliability, all repairs should be performed by a qualified service technician.

SAFETY SYMBOLS

The purpose of safety symbols is to attract your attention to possible dangers. The safety symbols and the explanations with them deserve your careful attention and understanding. The symbol warnings do not, by themselves, eliminate any danger. The instructions and warnings they give are no substitutes for proper accident prevention measures.

⚠ WARNING: Be sure to read and understand all safety instructions in this Operator's Manual, including all safety alert symbols such as **"DANGER," "WARNING,"** and **"CAUTION"** before using this tool. Failure to following all instructions listed below may result in electric shock, fire, and/or serious personal injury.

SYMBOL MEANING



SAFETY ALERT SYMBOL: Indicates DANGER, WARNING, OR CAUTION. May be used in conjunction with other symbols or pictographs.





WARNING! The operation of any power tools can result in foreign objects being thrown into your eyes, which can result in severe eye damage. Before beginning power tool operation, always wear safety goggles or safety glasses with side shields and a full face shield when needed. We recommend a Wide Vision Safety Mask for use over eyeglasses or standard safety glasses with side shields. Always use eye protection complying with Australian Standards AS1337.1 2010.



SAFETY INSTRUCTIONS

This page depicts and describes safety symbols that may appear on this product. Read, understand, and follow all instructions on the machine before attempting to assemble and operate it.

	<p>Safety Alert</p>	<p>Precautions that involve your safety.</p>
	<p>WARNING: Read operator's manual</p>	<p>To reduce the risk of injury, user must read and understand operator's manual before using this product.</p>
	<p>Wear Eye Protection</p>	<p>Always wear safety goggles or safety glasses with side shields and a full face shield when operating this product.</p>
	<p>Do Not Expose To Moisture</p>	<p>Do not use in the rain or leave outdoors while it is raining.</p>
	<p>Class II Construction</p>	<p>Double-insulated Construction.</p>
	<p>Keep Bystanders Away</p>	<p>Ensure that other people and pets remain at least 30m away from the line trimmer when it is in use.</p>
	<p>Keep Bystanders Away</p>	<p>Ensure that other people and pets remain at least 30m away from the line trimmer when it is in use.</p>

V	Volt	Voltage
A	Amperes	Current
Hz	Hertz	Frequency (cycles per second)
W	Watt	Power
min	Minutes	Time
	Alternating Current	Type of current
	Direct Current	Type or a characteristic of current
n_0	No-Load Speed	Rotational speed, at no load
... /min	Per Minute	Revolutions per minute

IMPORTANT SAFETY INSTRUCTIONS

⚠ WARNING! When using electric trimmers, basic safety precautions should always be followed to reduce the risk of fire, electric shock, and personal injury, including the following:

READ CAREFULLY BEFORE USE

KEEP FOR FUTURE REFERENCE

⚠ DANGER! Do not rely on the tool's insulation against electric shock. To reduce the risk of electrocution, never operate the tool in the vicinity of any wires or cables (power, etc.) which may carry electric current.

⚠ CAUTION! Wear appropriate personal hearing protection during use. Under some conditions and durations of use, noise from this product may contribute to hearing loss.

- Read the instructions carefully. Be familiar with the controls and the proper use of the line trimmer.
- This appliance is not intended for use by persons (including children) with reduced physical, sensory or mental capabilities, or lack of experience and knowledge, unless they have been given supervision or instruction concerning use of the appliance by a person responsible for their safety. Children should be supervised to ensure that they do not play with the appliance.
- Avoid Dangerous Environments – Don't use trimmers in damp or wet locations.
- Keep in mind that the operator or user is responsible for accidents or hazards occurring to other people or their property.
- Use the machine only in daylight or good artificial light.
- Always turn the line trimmer off or remove the battery pack whenever leaving the trimmer unattended.
- To prevent accidental starting that could cause serious personal injury, always remove the battery pack from the tool before checking, cleaning or working on the machine. Always clearing a blockage when the battery pack is removed from the line trimmer.
- Don't Use In Rain.
- Keep Children Away – All visitors should be kept at a distance from work area.

- Dress Properly – Do not wear loose clothing or jewelry. They can be caught in moving parts. Use of rubber gloves and substantial footwear is recommended when working outdoors. Wear protective hair covering to contain long hair.
- Use Safety Glasses – Always use a face or dust mask if operation is dusty.
- Use the Right Tool– Do not use the tool for any job except that for which it is intended.
- Don't Force the Trimmer – It will do the job better and with less likelihood of a risk of injury at the rate for which it was designed.
- Don't Overreach – Keep proper footing and balance at all times.
- Stay Alert – Watch what you are doing. Use common sense. Do not operate the trimmer when you are tired.
- Do not operate the trimmer while under the influence of alcohol or drugs.
- Keep guards in place and in working order.
- Keep hands and feet away from the cutting area. After extending new cutting line always return the machine to its normal operating position before switching on.
- Store Trimmer Indoors – When not in use the trimmer should be stored indoors in a dry and high or locked-up place with the battery pack removed – out of reach of children.
- Maintain Trimmer With Care – Keep the cutting attachment clean for best performance and to reduce the risk of injury. Follow instructions for changing accessories. Keep handles dry, clean, and free from oil and grease.
- Check Damaged Parts – Before further use of the trimmer, a guard or other part that is damaged should be carefully checked to determine that it will operate properly and perform its intended function. Check for alignment of moving parts, binding of moving parts, breakage of parts, mounting, and any other condition that may affect its operation. A guard or other part that is damaged should be properly repaired or replaced by an authorized service center unless indicated elsewhere in this manual.
- Never operate the machine with damaged guards or shields or without guards or shields in place.
- Clear the area to be cut before each use. Remove all objects such as rocks, broken glass, nails, wire, or line that can be thrown or become entangled in the cutting attachment. Make sure that other persons and pets are at least 30m away.
- Always ensure that the ventilation openings are kept clear of debris.
- Stop using the machine while people, especially children, or pets are nearby.

- Before using the machine and after any impact, check for signs of wear or damage and repair as necessary.
- Always hold the trimmer firmly, with both hands on the handles while operating. Wrap your fingers and thumbs around the handles.
- Avoid Accidentally Starting—Don't carry the trimmer with your finger on the trigger.
- Do not operate the trimmer in petrolic or explosive atmospheres. Motors in these appliances normally spark, and the sparks might ignite fumes.
- Damage to Trimmer— If you strike a foreign object with the trimmer or it becomes entangled, stop the tool immediately, remove the battery pack from the line trimmer, check for damage and have any damage repaired before further operation is attempted. Do not operate with a broken guard or spool.
- If the equipment should start to vibrate abnormally, stop the motor, remove the battery pack from the line trimmer, and check immediately for the cause. Vibration is generally a warning of trouble. A loose head may vibrate, crack, break or come off the trimmer, which may result in serious or fatal injury. Make sure that the cutting attachment is properly fixed in position. If the head loosens after fixing it in position, replace it immediately. Never use a trimmer with a loose cutting attachment.
- Replace a cracked, damaged or worn-out cutting head immediately, even if damage is limited to superficial cracks. Such attachments may shatter at high speed and cause serious or fatal injury.
- Check the cutting attachment at regular short intervals during operation, or immediately if there is a noticeable change in cutting behavior.
- Only use EGO™ authorized polymer trimmer line accessories and trimmer line that are designed for use with this tools. Although certain unauthorized attachments might be fitted to the EGO™ line trimmer, their use may be extremely dangerous, and/or damaging to the tools.
- To reduce the risk of serious injury, never use wire or metal-reinforced line or other material in place of the nylon cutting lines. Pieces of wire could break off and be thrown at high speed toward the operator or bystanders.
- To reduce the risk of injury from loss of control, never work on a ladder or on any other insecure support. Never hold the cutting attachment above waist height.
- If situations occur that are not covered in this manual, use care and good judgment. Contact the EGO Service Center for assistance.

- Do not charge the battery pack in rain, or in wet locations.
- Use only with battery packs and chargers listed below:

BATTERY	CHARGER
BA2240E	CH5500E
BA1120E	CH2100E

- Do not dispose of the battery in a fire. The cells may explode. Check with local codes for possible special disposal instructions.
- Do not open or mutilate the battery. Released electrolyte is corrosive and may cause damage to the eyes or skin. It may be toxic if swallowed.
- Exercise care in handling batteries in order not to short the battery with conducting materials such as rings, bracelets, and keys. The battery or conductor may overheat and cause burns.
- Replacement Parts—When servicing, use only identical EGO replacement parts. Use of any other accessory or attachment may increase the risk of injury
- Battery tools do not have to be plugged into an electrical outlet; therefore, they are always in operating condition. Be aware of possible hazards even when the tool is not operating. Take care when performing maintenance or service.
- Remove or disconnect battery pack before servicing, cleaning or removing material from the trimmer.
- Do not wash with a hose; avoid getting water in motor and electrical connections.
- Save these instructions. Refer to them frequently and use them to instruct others who may use this tool. If you loan this tool to someone else, also loan these instructions to them to prevent misuse of the product and possible injury.

SAVE THESE INSTRUCTIONS!

INTRODUCTION

Congratulations on your selection of 56-Volt Lithium-Ion Cordless Line Trimmer. It has been designed, engineered and manufactured to give you the best possible dependability and performance.

Should you experience any problem you cannot easily remedy, please contact EGO customer service center 1300 000 EGO (1300 000 346).

This manual contains important information on to the safe assembly, operation and maintenance of your line trimmer. Read it carefully before using the line trimmer. Keep this manual handy so you can refer to it at any time.

SERIAL NUMBER _____	DATE OF PURCHASE _____
YOU SHOULD RECORD BOTH SERIAL NUMBER AND DATE OF PURCHASE AND KEEP IN A SAFE PLACE FOR FUTURE REFERENCE	

SPECIFICATIONS

Voltage	56V ---
No-load speed	6000/min
Cutting Mechanism	Bump Head
Line Diameter	2.0mm
Cutting Width	30cm
Weight (Without battery pack)	2.85kg

ASSEMBLY

⚠ WARNING: If any parts are damaged or missing, do not operate this product until the parts are replaced. Use of this product with damaged or missing parts could result in serious personal injury.

⚠ WARNING: Do not attempt to modify this product or create accessories not recommended for use with this line trimmer. Any such alteration or modification is misuse and could result in a hazardous condition leading to possible serious personal injury.

⚠ WARNING: To prevent accidental starting that could cause serious personal injury, always remove the battery pack from the tool when assembling parts.

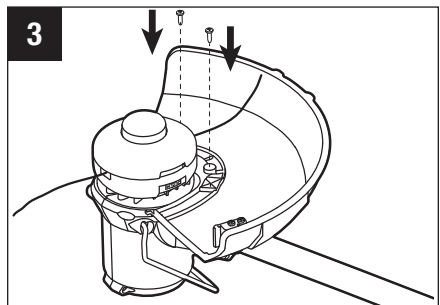
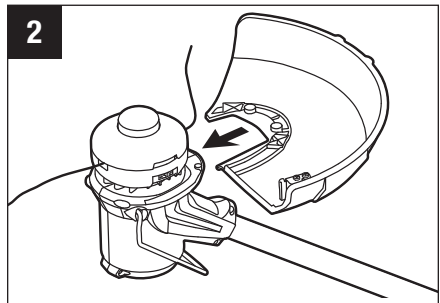
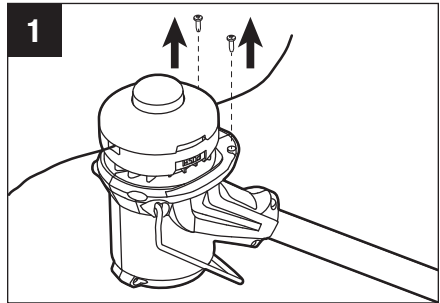
UNPACKING

- This product requires assembly.
- Carefully remove the product and any accessories from the box. Make sure that all items listed in the packing list are included.
- Inspect the tool carefully to make sure that no breakage or damage occurred during shipping.
- Do not discard the packing material until you have carefully inspected and satisfactorily operated the tool.
- If any parts are damaged or missing, please return the product to the place of purchase.

MOUNTING THE GUARD

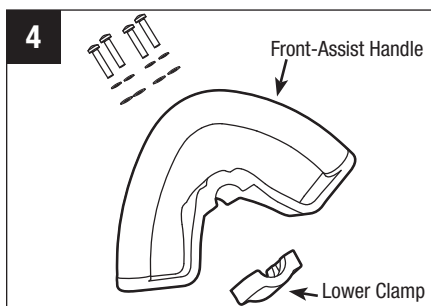
⚠ WARNING: Always wear gloves when mounting or replacing the guard. Take care of the blade on the guard and protect your hand from cutting.

1. Remove the battery pack from the trimmer.
2. Position your trimmer so that the trimmer head faces up.
3. Loosen and remove the two screws from the motor housing with a Phillips screwdriver (available separately) (Fig. 1).
4. Align the ribs of the guard with the guide slots in the motor housing and push the guard in place (Fig. 2).
5. Lock the guard with two screws (Fig. 3).

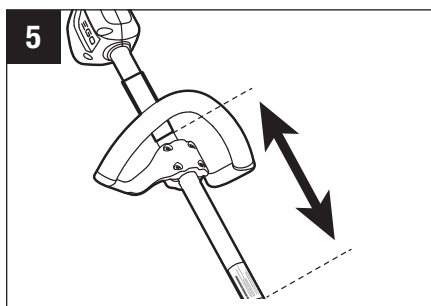


MOUNTING AND ADJUSTING THE FRONT-ASSIST HANDLE

1. Remove the battery pack from the trimmer.
2. Loosen the four screws in the handle with a Phillips screwdriver (available separately) and remove the screws, spring washers, flat washers and lower clamp from the handle (Fig. 4).



3. Attach the front-assist handle and lower clamp on the shaft and secure them by pre-tightening the four screws. Turn the front-assist handle upwards to point toward the top of the handle (Fig. 5).



4. Adjust the front-assist handle position between the soft sleeve housing and warning label on the shaft (Fig.5). Shorter users may adjust handle to a lower position (away from you) and taller users may adjust the handle to an upper position (towards you). The handle should be adjusted so that your front arm is straight when using the trimmer.

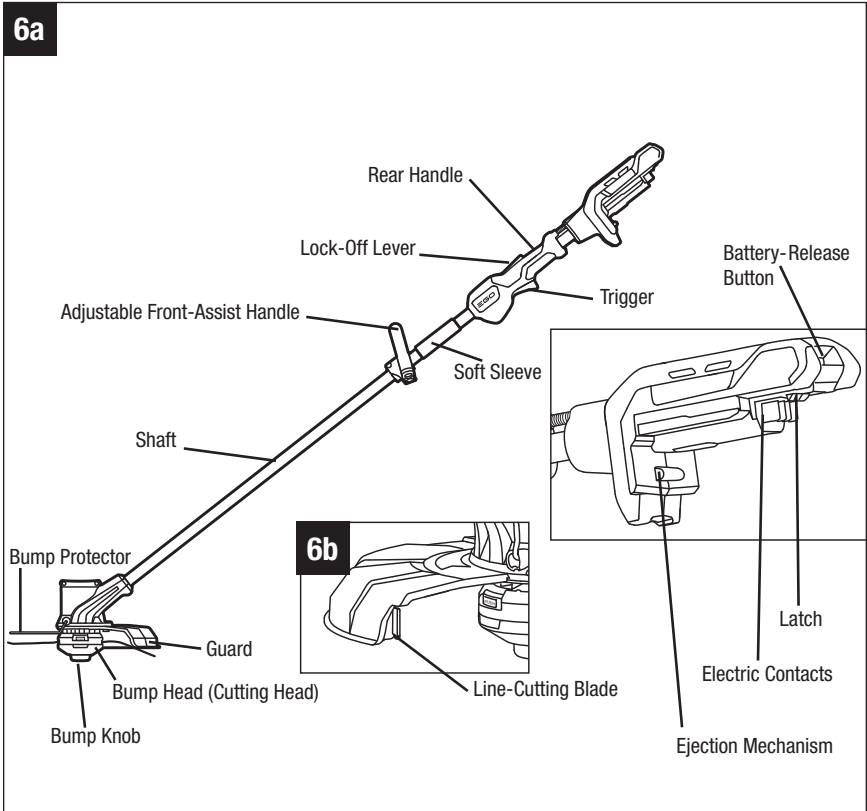
5. Tighten the four screws so that the handle cannot be rotated on the shaft.

PACKING LIST

PART NAME	QUANTITY
Line Trimmer	1
Guard	1
Front-assist handle assembly	1
Operating manual	1

DESCRIPTION

KNOW YOUR LINE TRIMMER (Fig. 6a & 6b)



⚠ WARNING: Never operate the tool without the guard firmly in place. The guard must always be on the tool to protect the user.

⚠ WARNING: The safe use of this product requires an understanding of the information on the tool and in this operator's manual, as well as knowledge of the project you are attempting. Before use of this product, familiarize yourself with all operating features and safety rules.

ADJUSTABLE FRONT-ASSIST HANDLE

For easy control of the trimmer during cutting.

REAR HANDLE

Ergonomic handle with overmold improves comfort and grip.

TRIGGER

To turn the line trimmer On and Off.

LOCK-OFF LEVER

Helps prevent accidental or unauthorized activation of the trigger. It must be depressed before the trigger can be activated.

SHAFT

Encloses and protects the cables between the motor and rear handle.

BUMP HEAD (CUTTING HEAD)

The cutting attachment for cutting grass.

BUMP KNOB

Lightly tap the bump knob on the ground while operating the trimmer to release the cutting line.

GUARD

Designed to reduce the risk of injury from foreign objects flung backwards toward the operator by the cutting attachment and from contact with the cutting attachment.

BUMP PROTECTOR

Limits the cutting range and reduces cutting line wear.

LINE CUTTING BLADE

Steel blade on the guard keeps the cutting line at the proper length.

BATTERY RELEASE BUTTON

Press to release the battery pack from the tool.

LATCH

Locks the battery pack when installing it on the tool.

EJECTION MECHANISM

Aids in battery removal.

OPERATION

⚠ WARNING: Do not allow familiarity with this product to make you careless. Remember that a careless fraction of a second is sufficient to inflict serious injury.

⚠ WARNING: Always wear eye protection with side shields marked to comply with AS1337.1 2010, along with hearing protection. Failure to do so could result in objects being thrown into your eyes and other possible serious injuries.

⚠ WARNING: Do not use any attachments or accessories not recommended by the manufacturer of this product. The use of attachments or accessories not recommended can result in serious personal injury.

⚠ WARNING: Use your line trimmer equipped with the appropriate cutting line only for cutting grass and similar material.

TO INSTALL/REMOVE BATTERY PACK (Fig. 7 & 8)

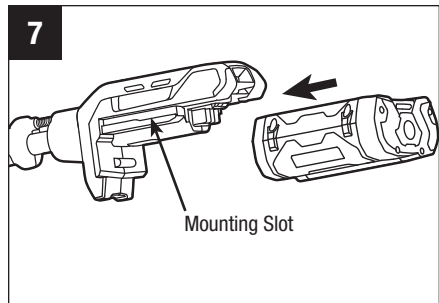
⚠ WARNING: Always remove the battery pack from the product when you are assembling parts, making adjustments, cleaning, or when not in use. Removing the battery pack will prevent accidental starting that could cause serious personal injury.

NOTE: Fully charge the battery pack before first use.

To install (Fig. 7)

- Align the ribs of the battery pack with the mounting slots in the line trimmer's battery port.
- Press the battery pack toward the cutting head until it snaps into position.

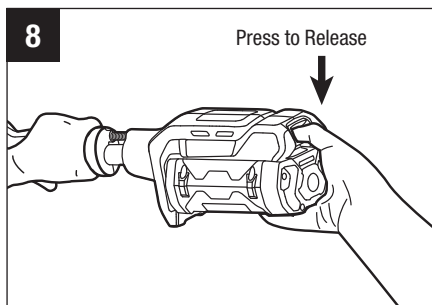
NOTE: Make sure that the latch on the line trimmer snaps into place and the battery pack is secured to the tool before beginning operation.



To remove (Fig. 8)

⚠ WARNING: Always take care of your feet and children or pets around you when pressing the battery release button. Serious injury could result if the battery pack falls. NEVER remove the battery pack at a high location.

- Hold the battery pack in the palm of your hand.
- Press the battery release button with your thumb; the battery pack will disengage from the latch.
- Grasp the battery pack and remove it from the line trimmer.



HOLDING THE LINE TRIMMER

⚠ WARNING: Dress properly to reduce the risk of injury when operating this tool. Do not wear loose clothing or jewelry. Wear eye and ear/hearing protection. Wear heavy, long pants, boots and gloves. Do not wear short pants, sandals or go barefoot.

Before operating the unit, stand in the operating position and check that:

- The operator is wearing eye protection and proper clothing.
- One arm is slightly bent, and the hand on that arm is holding the rear handle.
- The other arm is straight, with that hand holding the front-assist handle.
- The trimmer head is parallel to the ground and easily contacts the material to be cut without the operator having to bend over (Fig. 9).



STARTING/STOPPING THE LINE TRIMMER

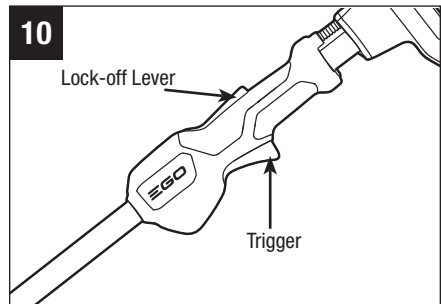
Before starting the line trimmer

- Make sure you have a secure and balanced footing.
- Stand upright and hold the line trimmer in a relaxed position.
- Make sure that the cutting line is not touching the ground or any other objects.
- Hold the line trimmer with both hands: One hand on the rear handle and one hand on the front-assist handle.

To start the line trimmer (Fig. 10)

1. Press down the lock-off lever and hold it in that position.
2. Depress the trigger to turn on the line trimmer.

The motor runs only when the lock-off lever and trigger are operated simultaneously.



To stop the line trimmer

Release the lock-off lever and trigger to stop the line trimmer.

⚠ WARNING: Always remove the battery pack from the line trimmer during work breaks and after finishing work.

USING THE LINE TRIMMER

⚠ WARNING: To avoid serious personal injury, wear goggles or safety glasses at all times when operating this unit. Wear a face mask or dust mask in dusty locations.

Clear the area to be cut before each use. Remove all objects, such as rocks, broken glass, nails, wire, or line, that can be thrown or become entangled in the cutting attachment. Clear the area of children, bystanders, and pets. At a minimum, keep all children, bystanders and pets at least 30m away; there still may be risk to bystanders from thrown objects. Bystanders should be encouraged to wear eye protection. If you are approached, stop the motor and cutting attachment immediately.

⚠ WARNING: To prevent serious personal injury, remove the battery pack from the tool before servicing, cleaning, changing attachments or removing material from the unit.

Before each use check for damage/worn parts

Check the bump head, guard and front-assist handle and replace the parts that are cracked, warped, bent, or damaged in any way.

The line-cutting blade on the edge of the guard can dull over time. It is recommended that you periodically sharpen it with a file or replace it with a new blade.

⚠ WARNING: Always wear gloves when mounting or replacing the guard, or sharpening or replacing the blade. Take care of the blade on the guard and protect your hand from cutting.

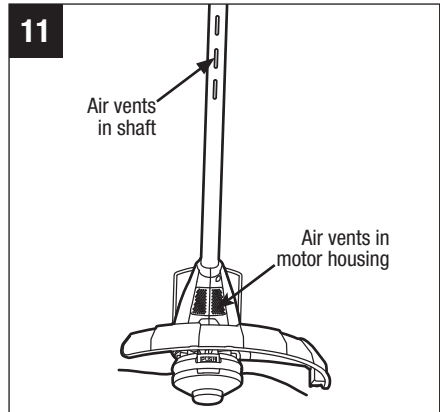
After each use, clean the trimmer.

⚠ WARNING: To prevent serious personal injury, remove the battery pack from the tool before servicing, cleaning, changing attachments or removing material from the unit.

- Use only mild soap and a damp cloth to clean the tool. Never let any liquid get inside the tool; never immerse any part of the tool into a liquid.
- Wipe off the unit with a clean, dry, soft cloth.
- Keep air vents in the motor housing and shaft free from debris at all times (Fig. 11).

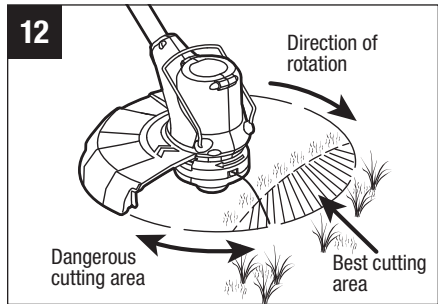
⚠ CAUTION: Obstructions in the vents will prevent the air from flowing into the motor housing and result in overheating or damaged of the motor.

⚠ WARNING: Never use water for cleaning your trimmer. Avoid using solvents when cleaning plastic parts. Most plastics are susceptible to damage from various types of commercial solvents. Use clean cloths to remove dirt, dust, oil, grease, etc.



Tips for best trimming results (Fig. 12)

- The correct angle for the cutting attachment is parallel to the ground.
- This line trimmer allows you to rest the bump knob on the ground for operating more comfortably.
- Do not force the trimmer. Allow the very tip of the line to do the cutting (especially along walls). Cutting with more than the tip will reduce cutting efficiency and may overload the motor.
- The cutting height is determined by the distance of the cutting line from the lawn surface.
- Grass over 200mm should be cut by working from top to the bottom in small increments to avoid premature line wear or motor drag.
- Slowly move the trimmer into and out of the area being cut, maintaining the trimmer at the desired cutting height. This can be either a forward backward or side-to-side motion. Cutting shorter lengths produces best results.
- Trim only when grass and weeds are dry.
- Wire and picket fences can cause extra line wear or breakage. Stone and brick walls, curbs, and wood may wear lines rapidly.
- Avoid trees and shrubs. Tree bark, wood moldings, siding, and fence posts can easily be damaged by the lines.



ADJUSTING CUTTING LINE LENGTH

The bump head allows the operator to release more cutting line without stopping the motor. As line becomes frayed or worn, additional line can be released by lightly tapping the bump knob on the ground while operating the trimmer (Fig. 13).

NOTICE: Always keep the cutting line fully extended. Line release becomes more difficult as the cutting line becomes shorter.

⚠ WARNING: Do not remove or alter the line cutting blade assembly. Excessive line length will cause the motor to overheat and may result in serious personal injury.

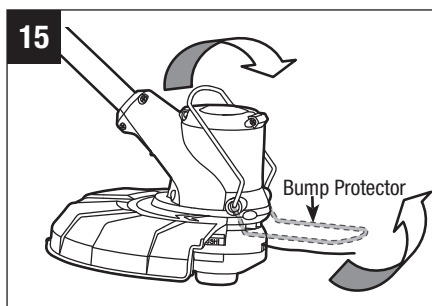
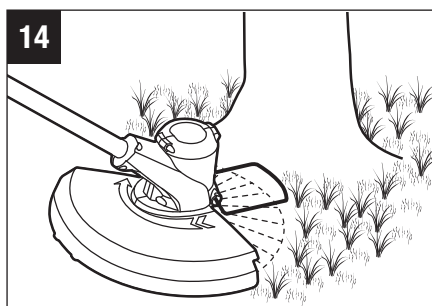
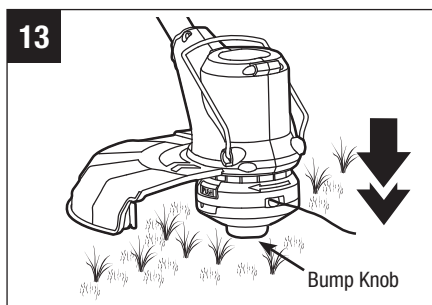
For best results, tap the bump knob on bare ground or hard soil. If line release is attempted in tall grass, the motor may overheat. Always keep the cutting line fully extended. Line release becomes more difficult as the cutting line becomes shorter.

WORKING WITH BUMP PROTECTOR

The bump protector can limit the cutting range of the cutting line and reduce the risk of the rotating cutting line causing damage (Fig. 14)

To use the bump protector, flip it down from its stored position (Fig. 15).

⚠ WARNING: The bump head may continue to rotate briefly after you switch off the line trimmer. Wait for the bump head to come to a complete stop before adjusting the bump protector. Do not adjust it with your foot.



LINE REPLACEMENT

⚠ WARNING: Always use only EGO authorized replacement nylon cutting line. Using line other than that specified may cause the line trimmer to overheat or become damaged.

⚠ WARNING: Never use metal-reinforced line, wire, or rope, etc. These can break off and become dangerous projectiles.

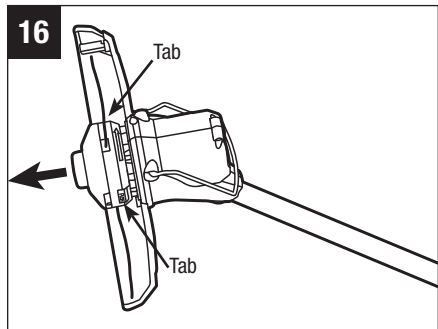
There are two methods to replace the cutting line:

1. Wind the spool with new line.
2. Install a pre-wound spool.

Wind the spool with new line

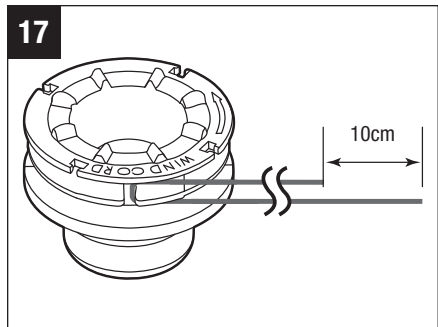
⚠ WARNING: To prevent serious personal injury, remove the battery pack from the tool before servicing, cleaning, changing attachments or removing material from the unit.

1. Press the release tabs on the spool retainer and remove the spool retainer by pulling it straight out (Fig. 16).
2. Remove the spool. Use a clean cloth to clean the inner surface of the spool base.



NOTICE: Always clean the spool and spool base before reassembling the bump head.

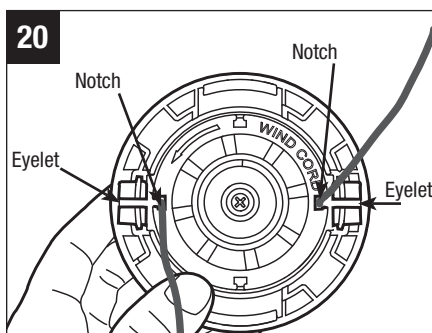
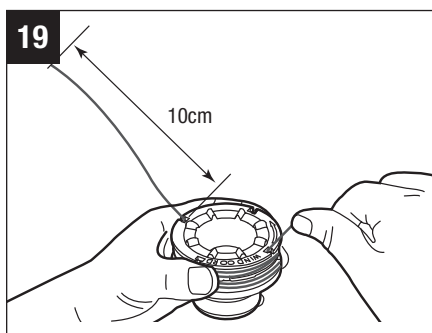
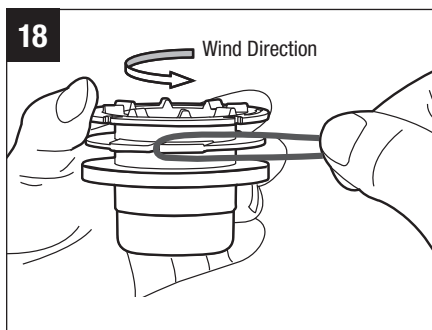
3. Check the spool retainer, spool and spool base for wear. If necessary, replace the wear parts.
4. Take approximately 5m of new cutting line. Fold the line in half and then adjust it so that one end is 10cm longer than the other (Fig.17).



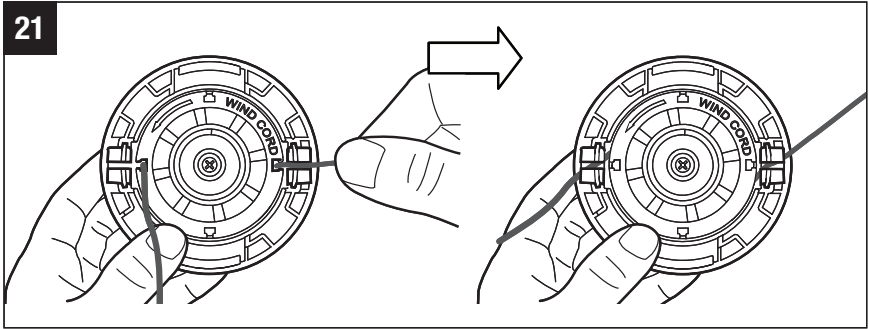
- Hook the folded end of the cutting line onto either of the slots in the spool (Fig. 18).
- Wind the line, in two even and tight layers, onto the spool. Wind the line in the direction indicated on the spool (Fig. 18).

NOTICE: Failure to wind the line in the direction indicated will cause the bump head to operate incorrectly.

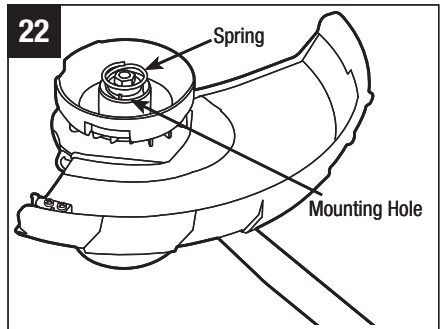
- Place the ends of the line in two opposite notches in the spool, with approximately 10cm protruding (Fig. 19).
- Align the notches of the spool from which the lines protrude with the eyelets in the spool retainer and position the spool in the retainer (Fig. 20).



9. Hold the spool and spool retainer; grasp the line and pull it to release the line from the notch in the eyelet (Fig. 21).

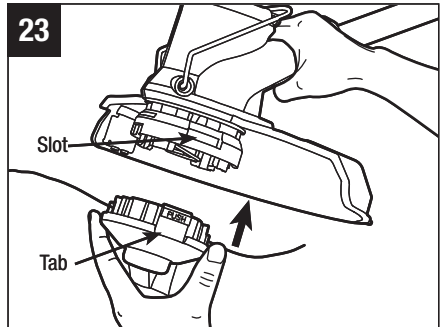


10. Check to see if the spring is properly located in the spool base. If it comes loose or drops out, position the spring in the mounting hole of the spool base and press it in place (Fig. 22).



11. With the spool base facing downward, align the tabs on the spool retainer with the slots in the spool base and press the retainer evenly down until it snaps into place (Fig. 23).

NOTICE: Make sure the spool retainer tabs snap into place or the spool will come out during operation.



Install a pre-wound spool

⚠ WARNING: To prevent serious personal injury, remove the battery pack from the tool before servicing, cleaning, changing attachments or removing material from the unit.

⚠ WARNING: Always use only EGO authorized replacement nylon cutting line. Using line other than specified may cause the line trimmer to overheat or be damaged.

1. Press the release tabs on the spool retainer and remove the retainer by pulling it straight out (Fig. 16).
2. Take out the spool. Use a clean cloth to clean the inner surface of the spool base.
3. Check the spool retainer, spool and spool base for wear. If necessary, replace the wear parts.
4. Place a pre-wound spool on the spool retainer.
5. Align the notches of the spool from which the lines protrude with the eyelets in the spool retainer and position the spool in the retainer (Fig. 20).
6. Hold the spool and spool retainer; grasp the line and pull it to release the line from the notch in the eyelet (Fig. 21).
7. Check to see if the spring is properly located in the spool base. If it comes loose or drops out, position the spring in the mounting hole of the spool base and press it in place (Fig. 22).
8. With the spool base facing downward, align the tabs on the spool retainer with the slots in the spool base and press the retainer evenly down until it snaps into place (Fig. 23).

MAINTENANCE

⚠ WARNING: When servicing, use only identical replacement parts. Use of any other parts may create a hazard or cause product damage. Inspect and maintain the machine regularly. To ensure safety and reliability, all repairs should be performed by a qualified service technician.

⚠ WARNING: Battery tools do not have to be plugged into an electrical outlet; therefore, they are always in operating condition. To prevent serious personal injury, take extra precautions and care when performing maintenance, service or for changing the cutting attachment or other attachments.

⚠ WARNING: To prevent serious personal injury, remove the battery pack from the tool before servicing, cleaning, changing add-on attachments or removing material from the unit.

CLEANING THE UNIT

- Clean the unit using a damp cloth with a mild detergent.
- Do not use any strong detergents on the plastic housing or the handle. They can be damaged by certain aromatic oils, such as pine and lemon, and by solvents such as kerosene. Moisture can also cause a shock hazard. Wipe off any moisture with a soft dry cloth.
- Use a small brush or the air discharge of a small vacuum cleaner brush to clean the air vents on the motor housing.
- Keep the air vents free of obstructions

STORING THE UNIT

- Remove the battery pack from the line trimmer when it is not in use.
- Clean the tool thoroughly before storing it.
- Store the unit in a dry, well-ventilated area, locked-up or up high, out of the reach of children. Do not store the unit on or adjacent to fertilizers, petrol, or other chemicals.

Protecting the environment



Do not dispose of electrical appliances as unsorted municipal waste, use separate collection facilities.

Contact your local government for information regarding the collection systems available.

If electrical appliances are disposed of in landfills or dumps, hazardous substances can leak into the groundwater and get into the food chain, damaging your health and well-being.

TROUBLESHOOTING

PROBLEM	CAUSE	SOLUTION
Line trimmer doesn't work.	1. The battery pack is not attached to the trimmer.	1. Attach the battery pack to the trimmer.
	2. No electrical contact between the trimmer and battery.	2. Remove battery, check contacts and reinstall the battery pack.
	3. The battery pack is depleted.	3. Charge the battery pack.
	4. The battery pack or line trimmer is too hot.	4. Allow the battery pack or trimmer to cool until the temperature drops below 67°C.
	5. The lock-off lever and trigger are not depressed simultaneously.	5. Press down the lock-off lever and hold it, then depress the trigger to turn on the line trimmer.
	6. The motor is overloaded.	6. Stop the trimmer, remove the battery, and clean the cutting attachment; restart the trimmer.
Cutting attachment will not advance line	1. Cutting attachment is bound with grass.	1. Stop the trimmer, remove the battery, and clean the cutting attachment.
	2. Not enough line on spool.	2. Remove the battery and replace the cutting line; follow the section "LINE REPLACEMENT" in this manual.
	3. Cutting attachment is dirty.	3. Remove the battery and clean the spool and spool base.
	4. Line is tangled on spool.	4. Remove the battery and remove the line from the spool and rewind; follow the section "LINE REPLACEMENT" in this manual.
	5. Line is worn too short.	5. Remove the battery and pull the lines while alternately pressing down on and releasing the bump knob.
Grass wraps around cutting head and motor housing	Cutting tall grass at ground level.	Cut tall grass from the top down to prevent wrapping.



EGO WARRANTY POLICY

5 year limited warranty on EGO outdoor power equipment and 3 year limited warranty on EGO Power+ System battery packs and chargers.

Please contact EGO customer service on 1300 000 EGO (1300 000 346) any time you have questions or warranty claims.

SERVICE WARRANTY

FOR FIVE YEARS from the date of original retail purchase, this EGO product is warranted against defects in material or workmanship. Defective product will receive free repair.

FOR THREE YEARS from the date of original retail purchase, the EGO Power+ System battery pack and charger are warranted against defects in material or workmanship. Defective product will receive free repair.

This warranty does not cover routine maintenance parts and consumables, such as the cutting line, that can wear out from normal use within the warranty period.

- a) This warranty applies only to the original purchaser at retail and may not be transferred.
- b) The warranty period for any EGO product or part used for industrial, professional or commercial purpose is one year.
- c) This warranty is void if the product has been used for rental purpose.
- d) This warranty does not cover the damage resulting from modification, alteration or unauthorized repair or from use of any cutting line other than the EGO authorized cutting line recommended for use with this product.
- e) This warranty only covers defects arising under normal usage and does not cover any malfunction, failure or defect resulting from misuse, abuse (including overloading of the product beyond capacity and exposure to water or rain), accidents, neglect or lack of proper installation, and improper maintenance or storage.
- f) This warranty does not cover normal deterioration of the exterior finish, including but not limited to scratches, dents, paint chips, or to any corrosion or discoloring by heat, abrasive and chemical cleaners.

HOW TO OBTAIN SERVICE

For warranty service, please contact EGO customer service on 1300 000 EGO (1300 000 346). When requesting warranty service, you must present the original dated sales receipt. An authorized service center will be selected to repair the product according to the stated warranty terms.

ADDITIONAL LIMITATIONS

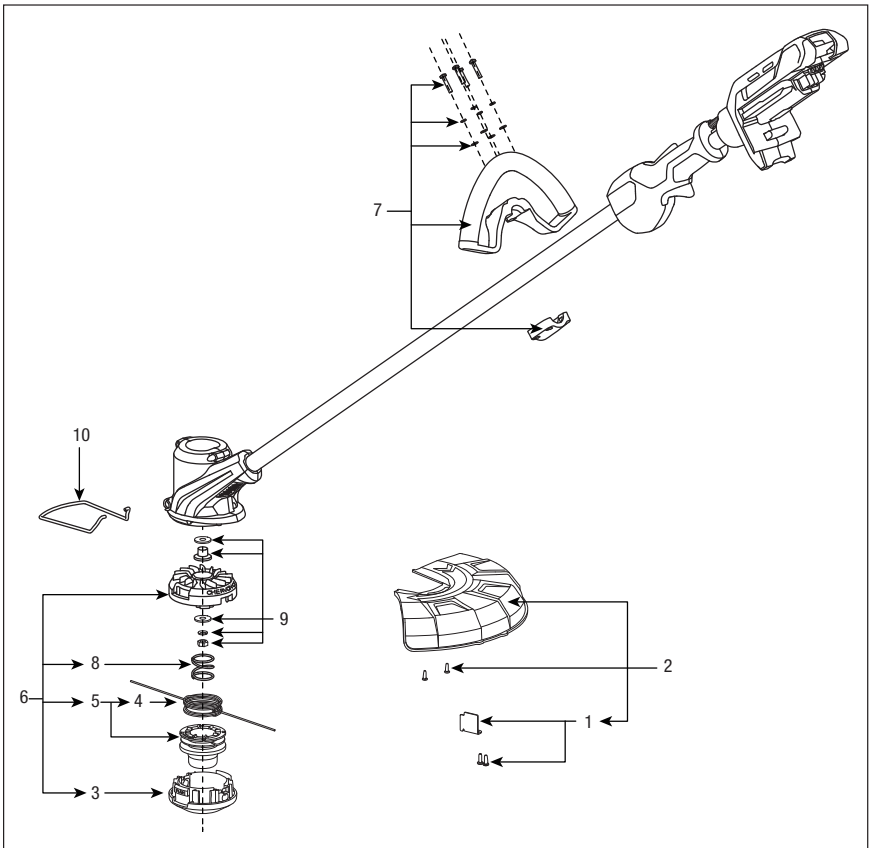
Chervon Australia Pty Ltd ABN 36 165 077 501 (“Chervon”) warrants to the original domestic purchaser that this product will be free from defects in materials and workmanship for 5 years from date of purchase, and any battery or charger will be free from defects in materials and workmanship for 3 years from date of purchase. To make a claim, return the faulty item together with proof of purchase directly to your closest service agent or to the place of purchase. Any handling and transportation costs (and other expenses incurred in claiming this warranty) are not covered by this warranty and will not be borne by Chervon. The replacement product or part or repaired product will be made available for your collection at an address nominated by Chervon. Where a valid warranty claim is made, Chervon will replace the defective product or repair the fault. Where the product is repaired, Chervon may use refurbished parts. This warranty does not cover normal wear and tear, misuse or abuse. This warranty may also be further limited or voided as specifically detailed in the product Manual. Chervon has no other liability under this warranty. The benefits to you given by this warranty are in addition to other rights and remedies imposed by State and Federal legislation that cannot be excluded. Our goods come with guarantees that cannot be excluded under the Australian Consumer Law. You are entitled to a replacement or refund for a major failure and compensation for any other reasonably foreseeable loss or damage. You are also entitled to have the goods repaired or replaced if the goods fail to be of acceptable quality and the failure does not amount to a major failure. Chervon Australia Pty Ltd, Unit 13, 1488 Ferntree Gully Rd, Knoxfield, VIC. 3180. Phone Number: 1300 000 EGO (1300 000 346). Email address: support@egopowerplus.com.au

PARTS LIST

56V LITHIUM-ION CORDLESS LINE TRIMMER MODEL NUMBER ST1200E

The Model Number will be found on the Nameplate attached to the housing of the line trimmer. Always mention the Model Number when ordering parts for this tool.

EXPLODED VIEW



PARTS LIST

INDEX NUMBER	PART NO.	DESCRIPTION	QTY
1	2823713000	Line cutting blade set	1
2	2823710000	Guard assembly	1
3	2823712000	Spool retainer assembly	1
4	3800097000	Cutting line	1
5	2823045000	Spool assembly	1
6	2823709000	Bump head assembly	1
7	2823711000	Front-assist handle assembly.	1
8	3660269000	Spring (in the bump head)	1
9	2822959000	Hexagon nut set (for bump head)	1
10	3650148000	Bump protector	1

