

Table Saw - F 012 990 000 - SPT99

www.powertools-aftersaleservice.com


Item	Part Number	Description	Illustration	Price	Quantity	Price Group
7	1 609 730 123	Pan head screw	2	\$ 0.68	1	10
8	1 609 730 124	Handle	2	\$ 0.68	1	10
9	2 610 043 327	Plain Washer	2	\$ 0.68	2	10
10	1 609 730 125	Plain Washer	2	\$ 0.68	1	10
11	1 609 730 126	Self-locking nut	2	\$ 0.68	1	10
12	1 609 730 127	Rod	2	\$ 2.94	1	16
13	1 609 730 128	Rod	2	\$ 2.01	1	14
14	2 610 996 920	Connecting Nut	2	\$ 2.94	1	16
15	2 610 014 698	Nut	2	\$ 0.68	1	10
16	2 610 016 558	Nut	2	\$ 0.68	1	10
17	1 609 730 193	Compression Spring	2	\$ 0.68	2	10
18	2 610 015 075	Washer	2	\$ 0.68	4	10
19	1 609 730 129	Fixing Plate	2	\$ 0.68	5	10
20	1 609 730 130	Pan head screw	2	\$ 0.68	10	10
23	1 609 730 131	Pan head screw	1	\$ 0.68	8	10
26	1 609 730 132	Pointer	1	\$ 1.12	1	11
27	2 610 010 404	Screw	1	\$ 0.68	2	10
34	1 609 730 133	Pan head screw	2	\$ 0.68	4	10
35	2 610 043 327	Plain Washer	2	\$ 0.68	4	10
41	2 610 043 416	Support bracket	1	\$ 1.12	1	11
42	2 610 950 418	Screw	1	\$ 0.68	2	10
43	1 609 730 134	Support Plate	1	\$ 0.68	1	10
44	1 609 730 133	Pan head screw	1	\$ 0.68	2	10
45	2 610 043 327	Plain Washer	1	\$ 0.68	2	10
46	1 609 730 135	Holding Plate	3	\$ 42.00	1	38
47	1 609 730 136	Motor assembly	3	\$ 193.00	1	51
47/2	1 604 220 55S	Field	4	\$ 26.50	1	34
47/3	1 604 010 B88	Armature	4	\$ 38.00	1	37
47/13	2 610 017 348	groove ball bearing	4	\$ 2.01	1	14
47/14	2 610 024 748	Ball Bearing	4	\$ 2.58	1	15
47/25	1 619 X06 474	Oil Drain Plug	4	\$ 1.70	1	13
47/31	2 610 017 875	Ball Bearing	4	\$ 2.94	1	16

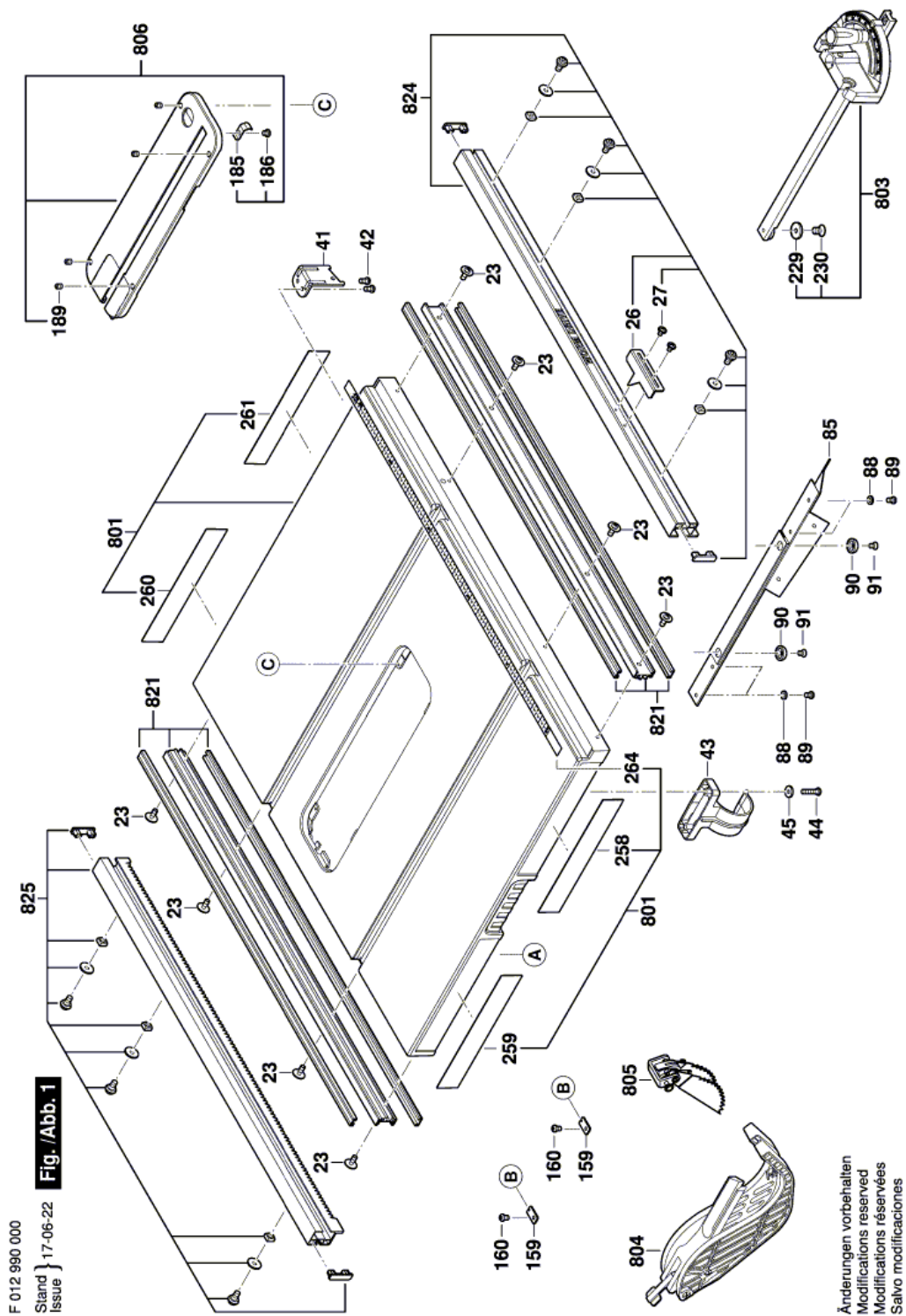
Item	Part Number	Description	Illustration	Price	Quantity	Price Group
47/42	1 619 X01 253	Bearing Plate	4	\$ 4.31	1	18
47/43	1 619 X09 228	Guard Plate	4	\$ 1.70	1	13
47/45	1 619 X09 778	Cover	4	\$ 1.12	1	11
47/46	1 619 X01 268	Device cap	4	\$ 1.12	2	11
47/47	1 619 X04 712	O-Ring	4	\$ 0.68	1	10
47/48	1 619 X01 272	Collar	4	\$ 2.01	1	14
47/55	1 619 X04 676	Ball Bearing	4	\$ 2.58	1	15
47/59	1 619 X03 644	Screw	4	\$ 0.68	1	10
47/60	1 619 X06 222	O-Ring	4	\$ 0.68	1	10
47/64	1 619 X01 786	Contact Screw	4	\$ 0.68	3	10
47/67	1 619 X04 687	O-Ring	4	\$ 0.68	1	10
47/69	1 616 B10 364	O-Ring	4	\$ 0.68	1	10
47/71	1 619 X09 452	Screw	4	\$ 0.68	4	10
47/73	2 610 004 459	Spring Washer	4	\$ 1.12	2	11
47/74	1 619 X09 779	Rubber Gasket	4	\$ 1.12	1	11
47/75	1 619 X07 731	Seal	4	\$ 2.58	1	15
47/78	1 619 X04 740	Seal	4	\$ 4.31	1	18
47/81	2 610 329 952	Screw	4	\$ 1.70	2	13
47/82	1 600 210 070	O-Ring	4	\$ 0.68	1	10
47/84	2 610 318 324	Nut	4	\$ 1.12	1	11
47/86	1 619 X04 746	Screw	4	\$ 0.68	4	10
47/90	1 619 X01 260	Bearing Cover	4	\$ 1.12	1	11
47/91	1 619 X06 749	Screw	4	\$ 0.68	4	10
48	1 609 730 137	Guard Plate	3	\$ 0.68	1	10
49	2 610 915 162	Screw	3	\$ 1.36	1	12
50	2 610 043 316	Hex Screw	3	\$ 0.68	1	10
51	1 609 730 138	Rod	3	\$ 2.58	1	15
52	1 609 730 139	Rod	3	\$ 2.58	1	15
53	2 610 043 272	Spring Washer	3	\$ 0.68	4	10
54	1 609 730 140	Hex Screw	3	\$ 0.68	4	10
55	1 609 730 141	Threaded Rod	3	\$ 3.73	1	17
56	2 610 043 323	Gear	3	\$ 1.70	1	13
57	2 610 015 045	Screw	3	\$ 0.68	1	10
58	2 610 015 043	Bushing	3	\$ 0.68	1	10
59	1 609 730 142	Support Plate	3	\$ 1.12	1	11
60	2 610 950 055	Screw	3	\$ 0.68	2	10
61	2 610 043 327	Plain Washer	3	\$ 0.68	1	10
62	2 610 043 326	Hex Screw	3	\$ 0.68	1	10
63	2 610 950 109	Washer	3	\$ 0.68	2	10
64	2 610 950 108	Screw	3	\$ 0.68	1	10
65	1 609 730 143	Support Plate	3	\$ 4.94	1	19
66	1 609 730 144	Drive Shaft	3	\$ 2.58	1	15
67	2 610 015 048	Bushing	3	\$ 0.68	1	10
68	2 610 997 282	Spring retaining ring	3	\$ 0.68	1	10
69	2 610 015 049	Bushing	3	\$ 3.73	1	17
70	2 610 911 902	Clip	3	\$ 0.68	1	10
71	2 610 043 323	Gear	3	\$ 1.70	1	13
72	2 610 015 045	Screw	3	\$ 0.68	1	10
73	2 610 950 055	Screw	3	\$ 0.68	2	10
74	2 610 043 311	Torsion Spring	3	\$ 0.68	1	10

Item	Part Number	Description	Illustration	Price	Quantity	Price Group
75	2 610 043 312	Stop Plate	3	\$ 3.73	1	17
76	2 610 043 313	Special Screw	3	\$ 0.68	2	10
77	1 609 730 145	Guard Plate	3	\$ 0.68	1	10
78	2 610 043 318	Pan head screw	3	\$ 0.68	2	10
79	1 609 730 146	Handle	3	\$ 0.68	2	10
80	1 609 730 147	Support bracket	3	\$ 11.12	2	25
81	2 610 997 297	Screw	3	\$ 0.68	4	10
82	1 609 730 148	Grounding Cable	3	\$ 0.68	1	10
83	2 610 043 348	Toothed lock washer	3	\$ 0.68	2	10
84	2 610 043 349	Pan head screw	3	\$ 0.68	2	10
85	1 609 730 149	Fabric covering	1	\$ 2.94	1	16
86	1 609 730 150	Plain Washer	3	\$ 0.68	7	10
87	2 610 015 065	Screw	3	\$ 0.68	7	10
88	1 609 730 150	Plain Washer	1	\$ 0.68	4	10
89	2 610 015 065	Screw	1	\$ 0.68	4	10
90	1 609 730 151	Stop Plate	1	\$ 0.68	2	10
91	1 609 730 152	Pan head screw	1	\$ 0.68	2	10
92	1 609 730 153	Support Plate	3	\$ 0.68	1	10
93	1 609 730 154	Hex Screw	3	\$ 0.68	2	10
95	2 610 043 355	Spring	2	\$ 0.68	1	10
96	2 610 950 077	Screw	2	\$ 0.68	2	10
103	2 610 043 365	Spring Clip	2	\$ 0.68	1	10
104	2 610 043 366	Spring Clip	2	\$ 0.68	1	10
105	2 610 015 065	Screw	2	\$ 0.68	2	10
106	2 610 043 368	Plain Washer	2	\$ 0.68	2	10
107	2 610 950 108	Screw	2	\$ 0.68	4	10
108	1 609 730 155	Clamping Bolt	2	\$ 0.68	2	10
109	1 609 730 156	Plain Washer	2	\$ 0.68	2	10
111	2 610 043 370	Holder	3	\$ 1.70	1	13
112	2 610 043 371	Pan head screw	3	\$ 0.68	4	10
113	2 610 043 378	Cam	3	\$ 1.12	2	11
114	2 610 016 557	Washer	3	\$ 0.68	2	10
115	2 610 998 572	Screw	3	\$ 0.68	2	10
116	2 610 043 420	Switch Housing	3	\$ 2.01	1	14
117	2 610 043 376	Tapping Screw	3	\$ 0.68	2	10
118	1 609 730 157	Front Panel	3	\$ 6.57	1	21
119	2 610 043 372	Special Screw	3	\$ 0.68	8	10
120	2 610 043 381	Plain Washer	3	\$ 0.68	2	10
121	2 610 015 061	Bushing	3	\$ 1.12	1	11
122	2 610 043 383	Handle	3	\$ 1.36	1	12
123	2 610 015 359	Screw	3	\$ 0.68	1	10
124	1 609 730 158	Compression Spring	3	\$ 0.68	1	10
125	2 610 015 001	Washer	3	\$ 0.68	2	10
126	2 610 043 387	Handwheel	3	\$ 2.01	1	14
127	2 610 043 388	Knob	3	\$ 0.68	1	10
128	2 610 043 389	Plain Washer	3	\$ 0.68	1	10
129	2 610 950 389	Washer	3	\$ 0.68	1	10
130	2 610 950 060	Screw	3	\$ 0.68	1	10
131	2 610 998 572	Screw	3	\$ 0.68	1	10
132	1 609 730 159	Special Screw	3	\$ 0.68	1	10

Item	Part Number	Description	Illustration	Price	Quantity	Price Group
133	2 610 016 566	Washer		3 \$ 0.68	1	10
134	1 609 730 160	Pointer		3 \$ 0.68	1	10
135	2 610 015 065	Screw		3 \$ 0.68	1	10
136	2 610 043 418	On-Off Switch		3 \$ 7.57	1	22
139	2 610 043 419	Switch Cover		3 \$ 2.58	1	15
140	2 610 043 422	Tapping Screw		3 \$ 0.68	4	10
141	2 610 043 423	Power supply cord		3 \$ 15.00	1	28
142	2 610 043 424	Junction Box		3 \$ 0.68	2	10
143	2 610 043 349	Pan head screw		3 \$ 0.68	1	10
144	2 610 043 348	Toothed lock washer		3 \$ 0.68	1	10
145	2 610 043 396	Spindle Holder		3 \$ 4.31	1	18
147	1 609 730 161	Clamping Flange		3 \$ 1.70	1	13
148	2 610 043 398	Flange nut		3 \$ 1.12	1	11
149	2 610 043 399	Cover		3 \$ 4.94	1	19
150	1 609 730 162	Key		3 \$ 2.94	1	16
151	1 609 730 163	Wing Nut		3 \$ 0.68	1	10
152	2 610 911 920	Rubber Bushing		3 \$ 1.12	1	11
153	2 610 015 059	Wrench Socket		3 \$ 0.68	1	10
154	2 610 043 408	Cable Clip		3 \$ 0.68	1	10
155	2 610 950 117	Screw		3 \$ 0.68	1	10
156	2 610 950 049	Screw		3 \$ 0.68	4	10
157	1 609 730 164	Guard Plate		3 \$ 2.01	1	14
158	2 610 043 351	Torsion Spring		3 \$ 0.68	1	10
159	2 610 043 352	Fixing Plate		1 \$ 0.68	2	10
160	2 610 015 065	Screw		1 \$ 0.68	2	10
161	2 610 950 117	Screw		3 \$ 0.68	3	10
162	2 610 015 058	Washer		3 \$ 0.68	3	10
163	2 610 043 309	Dust-Cover Holder		3 \$ 2.58	1	15
164	1 609 730 165	Wing Screw		3 \$ 0.68	1	10
166	2 610 015 053	Spring retaining ring		3 \$ 0.68	1	10
167	2 610 043 510	Workpiece Pusher		3 \$ 2.58	1	15
168	1 609 730 166	Suction Tube		2 \$ 1.36	1	12
180	2 610 998 580	Screw		4 \$ 0.68	2	10
181	2 610 911 896	Nut		4 \$ 0.68	1	10
182	2 610 950 069	Screw		4 \$ 0.68	2	10
185	2 610 011 716	Holding Spring		1 -,-	1	-
186	2 610 950 089	Screw		1 \$ 0.68	1	10
189	2 610 950 091	Set screw		1 \$ 0.68	4	10
229	2 610 950 146	Washer		1 \$ 0.68	1	10
230	2 610 950 147	Screw		1 \$ 0.68	1	10
258	1 609 730 168	Warning Label		1 \$ 0.68	1	10
259	1 609 730 169	Warning Label		1 \$ 0.68	1	10
260	1 609 730 170	Warning Label		1 \$ 0.68	1	10
261	1 609 730 171	Warning Label		1 \$ 0.68	1	10
262	1 609 730 178	Nameplate		3 \$ 0.68	1	10
263	1 609 730 172	Warning Label		3 \$ 2.58	1	15
264	1 609 730 173	Scale		1 \$ 0.68	1	10
651	1 609 730 167	Saw Blade		3 \$ 49.00	1	39
801	1 609 730 174	Table		1 \$ 148.00	1	49
802	1 609 730 175	Edge Guide		2 \$ 42.00	1	38

Item	Part Number	Description	Illustration	Price	Quantity	Price Group
803	2 610 043 522	Mitre Gauge	1	\$ 15.00	1	28
804	2 610 034 029	Protection	1	-,-	1	-
805	2 610 043 524	Safety Device	1	\$ 12.36	1	26
806	2 610 043 331	Fastening parts kit	1	\$ 19.50	1	31
807	2 610 043 526	Riving Knife	4	\$ 19.50	1	31
808	1 609 730 176	Front Panel	3	\$ 17.50	1	30
809	1 609 730 177	Base Frame	2	\$ 59.00	1	41
810	1 607 014 17W	Carbon-Brush Set	4	\$ 5.72	1	20
811	1 619 X09 976	Motor Housing	4	\$ 24.00	1	33
812	1 609 730 179	Locking Lever	2	\$ 4.94	1	19
813	1 609 730 180	Foot Cover	2	\$ 2.01	1	14
814	1 609 730 181	Foot Cover	2	\$ 2.01	1	14
815	1 609 730 182	Rod	2	\$ 12.36	1	26
821	1 609 730 183	Mounting Rail	1	\$ 11.12	1	25
824	1 609 730 184	Sliding Plate	1	\$ 24.00	1	33
825	1 609 730 185	Sliding Plate	1	\$ 22.00	1	32
830	1 619 X09 995	Gear Housing	4	\$ 26.50	1	34
834	1 619 X09 978	Set Of Gears	4	\$ 34.00	1	36
850	1 609 730 186	Wheel	5	\$ 34.00	2	36
851	1 609 730 187	Locking Set	5	\$ 9.84	1	24
852	1 609 730 188	Stand Foot	5	\$ 3.73	2	17
853	1 609 730 189	Stand Foot	5	\$ 6.57	1	21
854	1 609 730 190	Handle	5	\$ 11.12	1	25
855	1 609 730 191	Handle	5	\$ 22.00	1	32
870	1 619 X09 014	groove ball bearing	4	\$ 3.73	1	17
896	1 609 730 192	Hardware package	5	\$ 5.72	1	20

Illustration - Type E



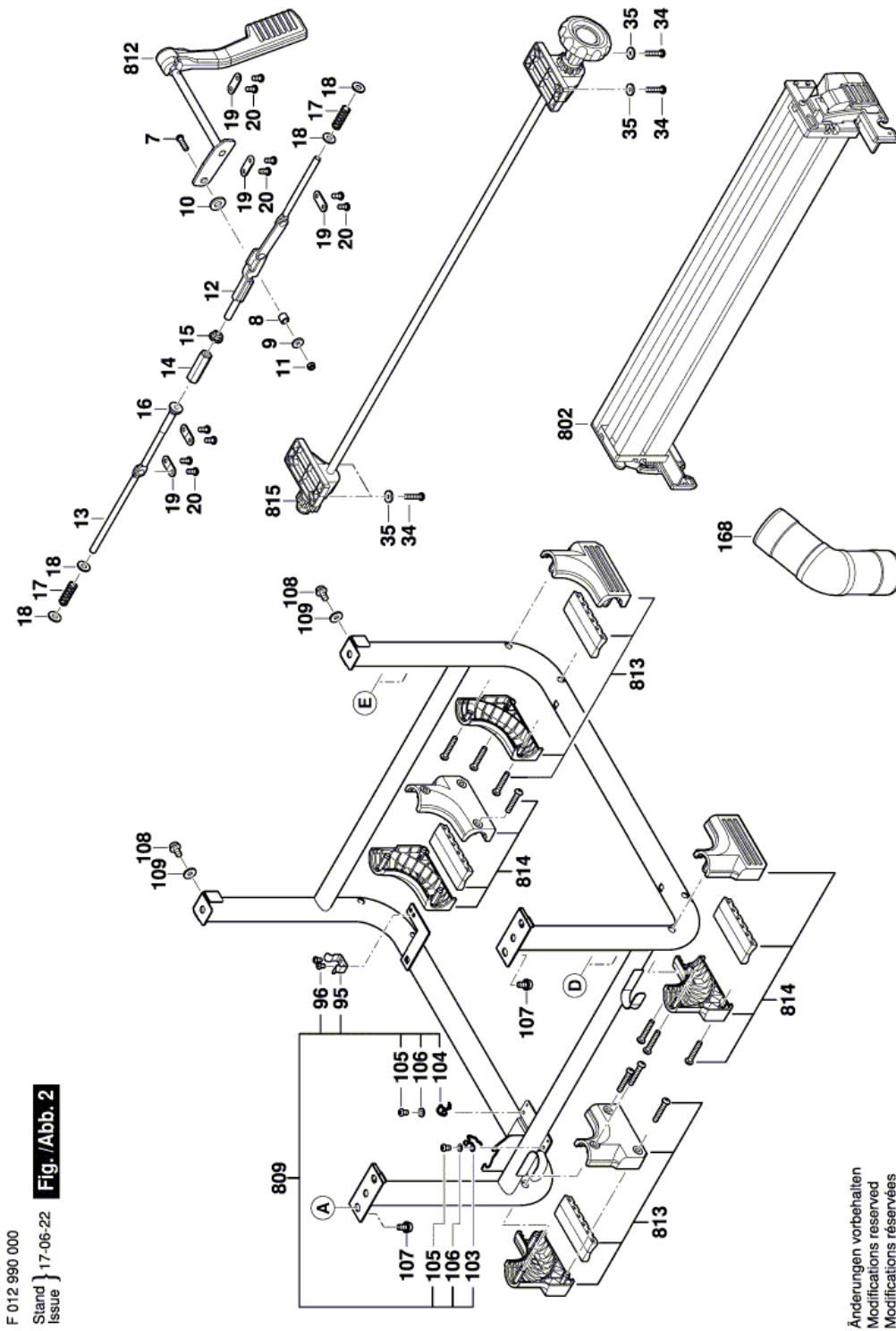
F 012 990 000

Stand } 17-06-22
Issue

Fig./Abb. 1

Änderungen vorbehalten
Modifications reserved
Modifications réservées
Salvo modificaciones

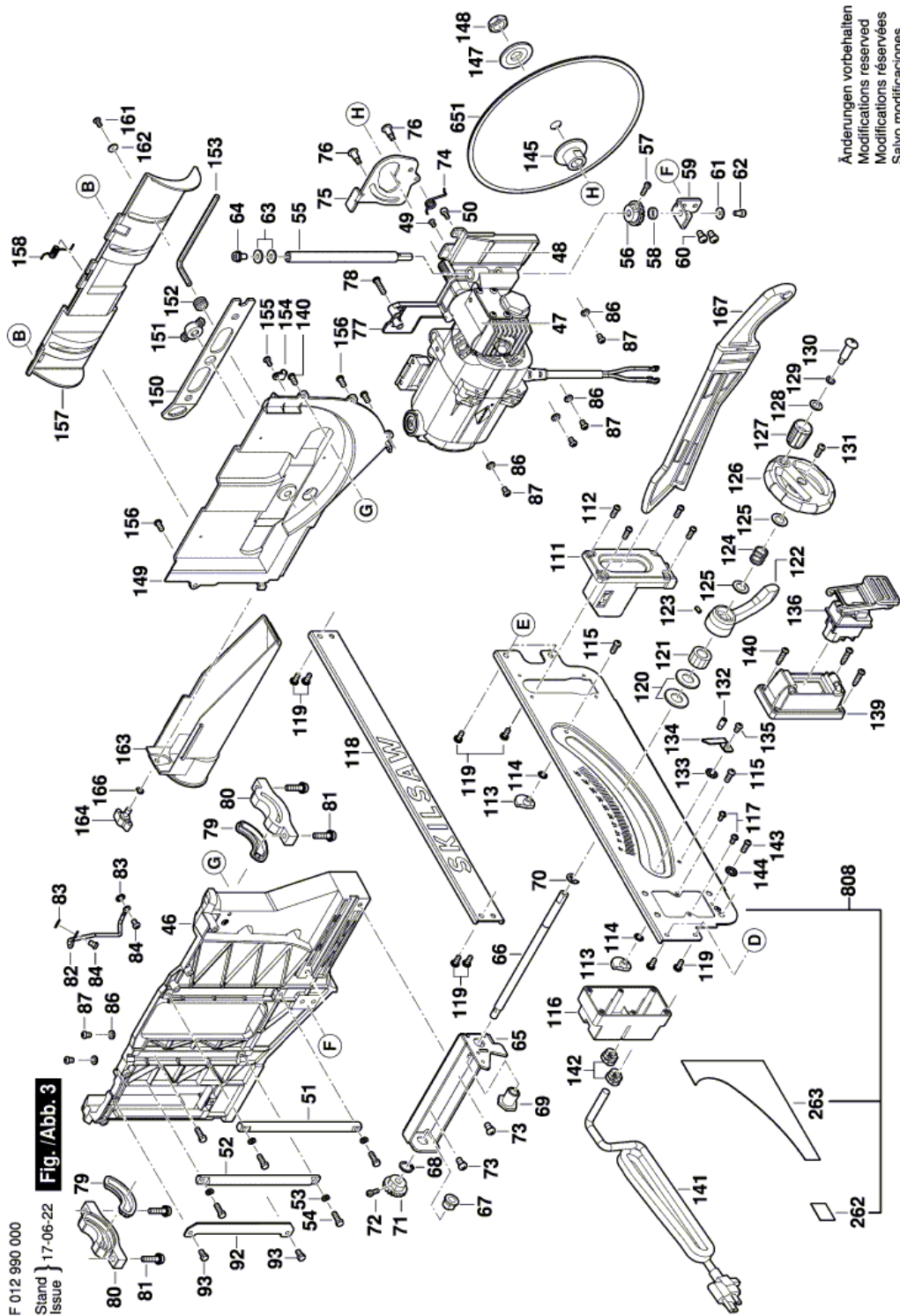
Illustration - Type E



F 012 990 000
 Stand } 17-06-22
 Issue } **Fig./Abb. 2**

Änderungen vorbehalten
 Modifications reserved
 Modifications réservées
 Salvo modificaciones

Illustration - Type E



F 012 990 000

Stand } 17-06-22
Issue }

Fig. / Abb. 3

Illustration - Type E

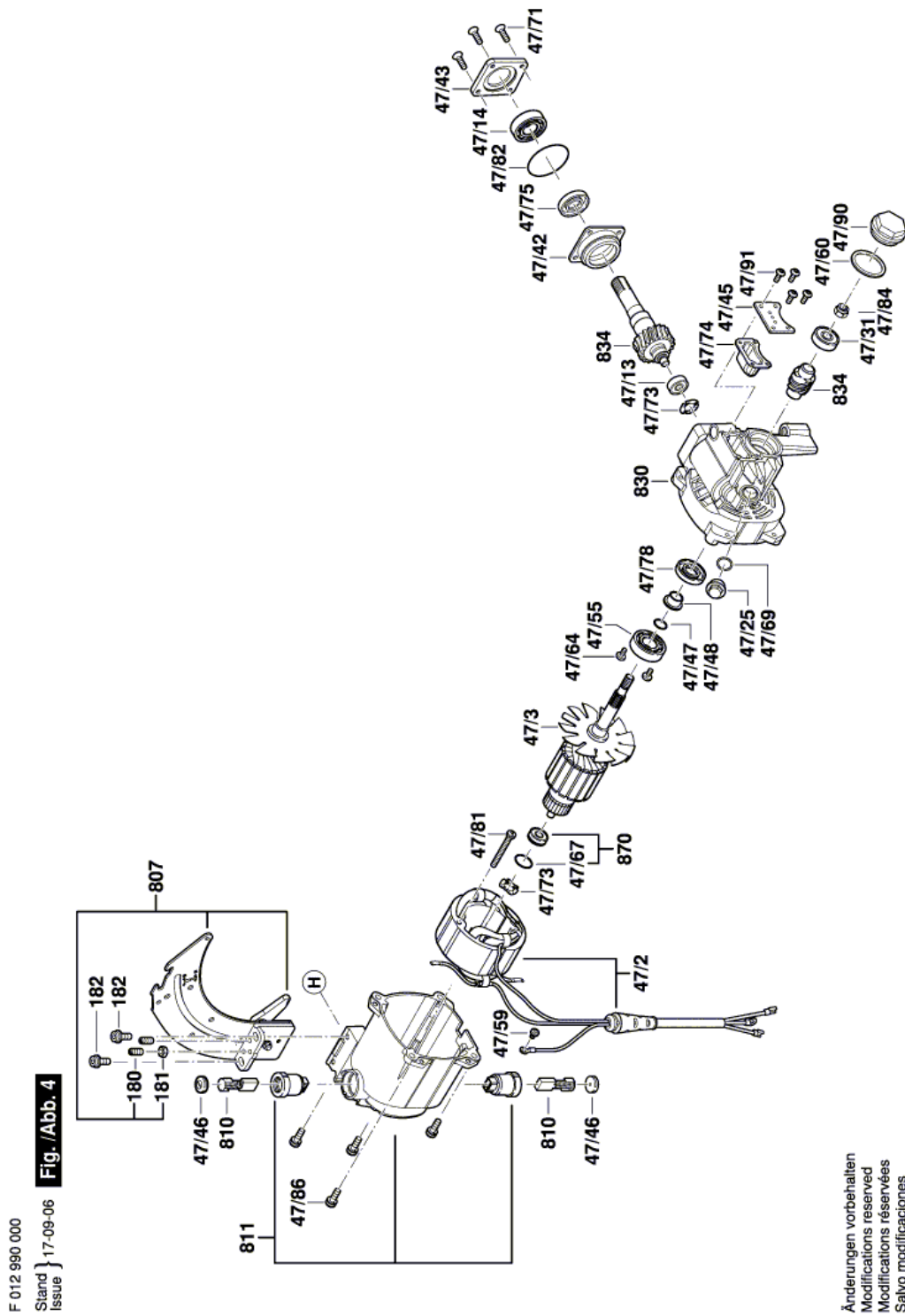
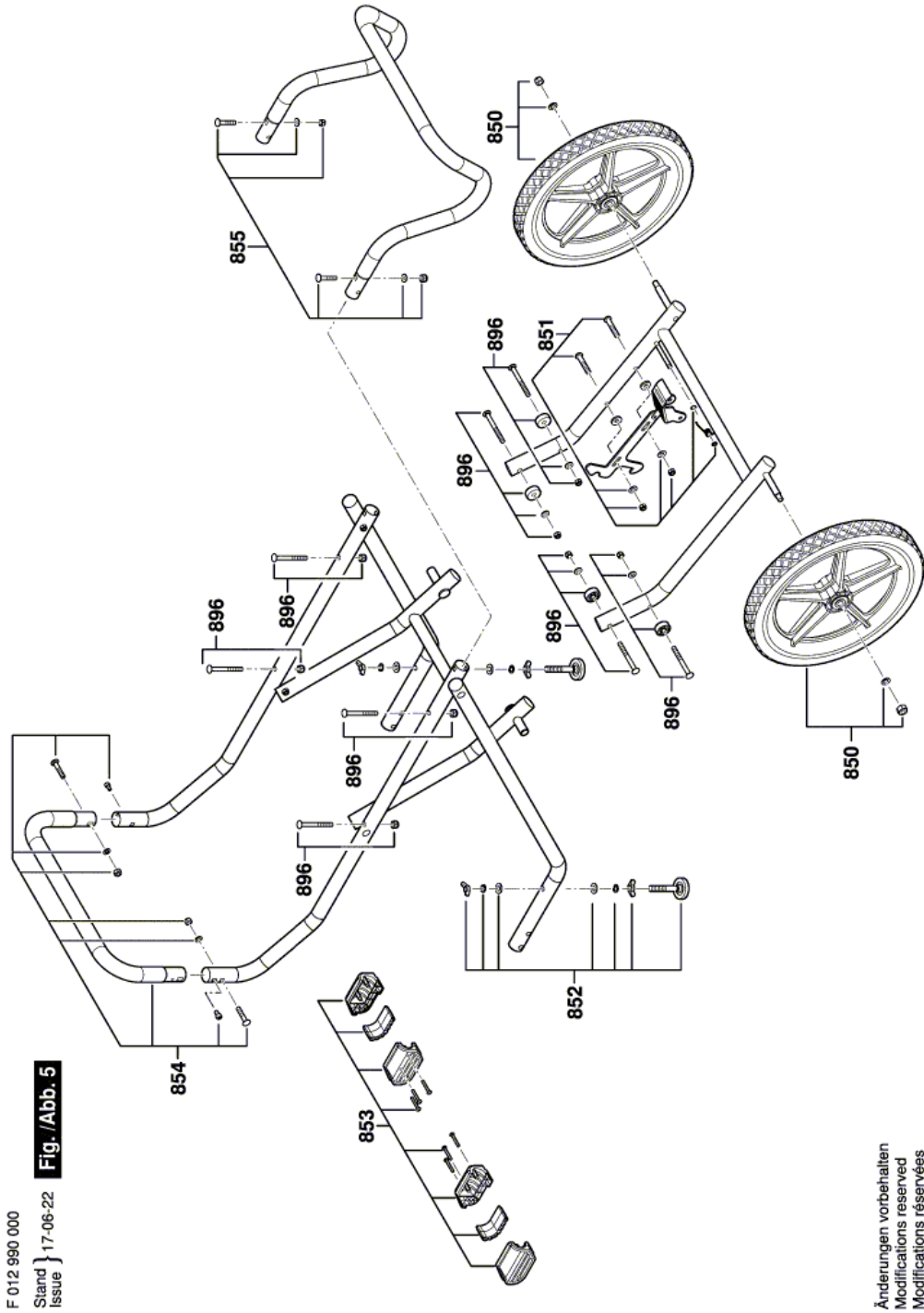


Illustration - Type E



F 012 990 000
Stand } 17-06-22
Issue } **Fig./Abb. 5**

Änderungen vorbehalten
Modifications reserved
Modifications réservées
Salvo modificaciones

Information subject to change without further notice.