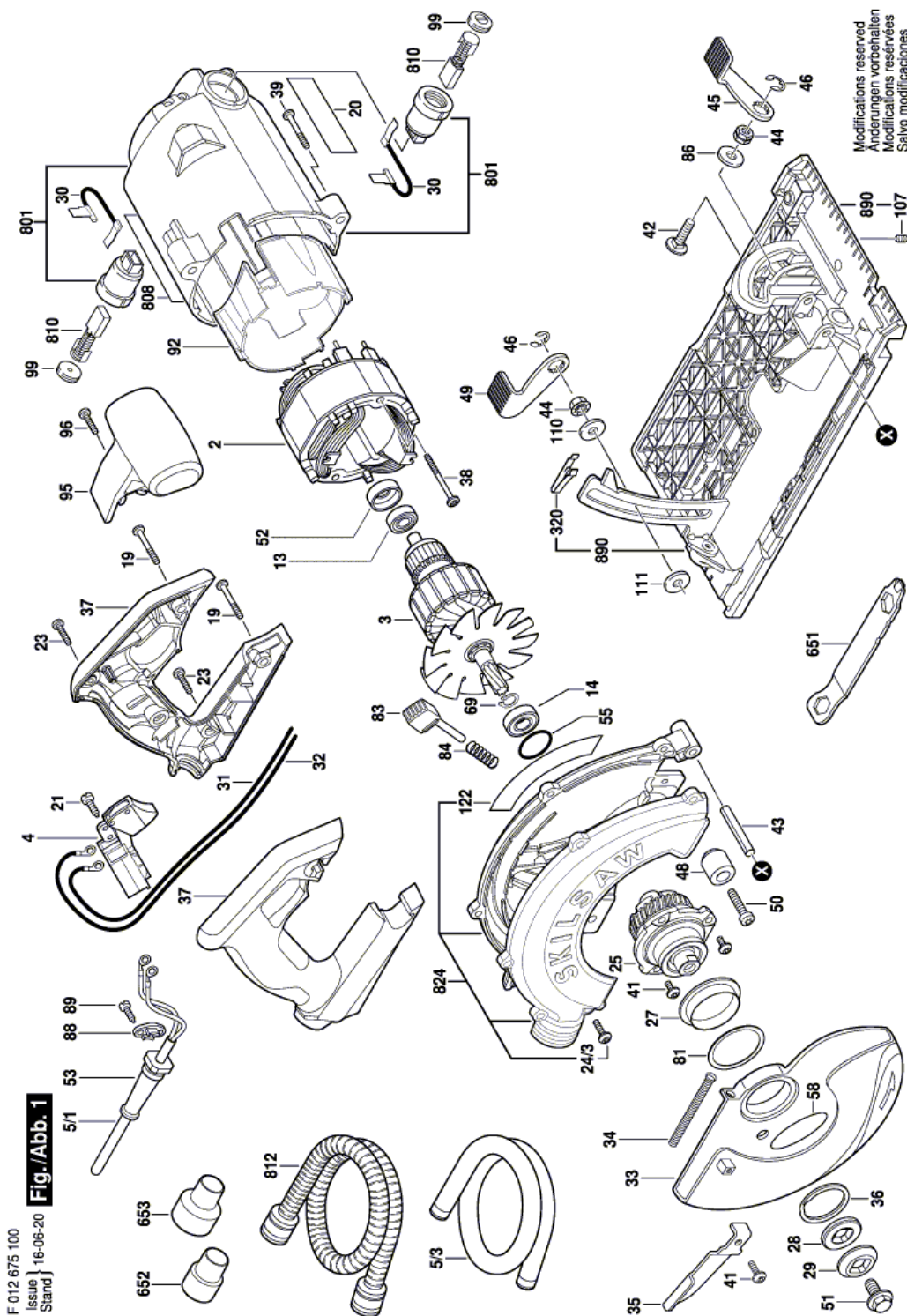


## Circular hand saw - F 012 675 100 - SPT67FMD

Item	Part Number	Description	Illustration	Price	Quantity	Price Group
2	1 619 X08 831	Field 120V	1	\$ 22.00	1	32
3	1 619 X08 832	Armature 120V	1	\$ 24.00	1	33
4	1 607 200 340	Switch	1	\$ 8.70	1	23
5/1	1 619 X09 113	Power supply cord	1	\$ 13.70	1	27
5/3	1 600 A00 FA2	Protective Sleeve	1	\$ 22.00	1	32
13	1 619 X09 556	Ball Bearing	1	\$ 2.01	1	14
14	1 619 X09 524	Ball Bearing	1	\$ 2.01	1	14
19	1 619 X01 012	Screw	1	\$ 1.12	2	11
20	1 619 X08 837	Warning Label	1	\$ 0.68	1	10
21	1 619 X00 938	Screw	1	\$ 0.68	1	10
23	1 619 X01 011	Screw	1	\$ 0.68	3	10
24/3	1 619 X09 531	Screw	1	\$ 0.68	5	10
25	1 619 X09 562	Gear Shaft	1	\$ 16.00	1	29
27	1 619 X06 242	Bushing	1	\$ 0.68	1	10
28	1 619 X00 659	Washer	1	\$ 1.36	1	12
29	1 619 X00 660	Washer	1	\$ 1.12	1	11
30	1 619 X08 860	Cable	1	\$ 1.12	2	11
31	1 619 X08 840	Cable	1	\$ 1.12	1	11
32	1 619 X08 841	Cable	1	\$ 1.12	1	11
33	1 600 A00 FA0	Lower guard	1	\$ 11.12	1	25
34	1 619 X04 765	Extension Spring	1	\$ 1.12	1	11
35	1 619 X08 859	Lever	1	\$ 0.68	1	10
36	2 610 341 359	Spring retaining ring	1	\$ 1.12	1	11
37	1 619 X08 753	Set Of Handles	1	\$ 5.72	1	20
38	2 610 347 103	Screw	1	-,-	2	-
39	1 619 X01 439	Screw	1	\$ 0.68	1	10
41	1 619 X06 749	Screw	1	\$ 0.68	4	10
42	1 619 X08 357	Bolt	1	\$ 0.68	1	10
43	1 619 X00 676	Roller Pin	1	\$ 1.12	1	11
44	1 619 X09 153	Nut	1	\$ 0.68	2	10
45	1 619 X09 069	Depth-Gauge	1	\$ 1.12	1	11
46	1 619 X09 150	Clip	1	\$ 0.68	2	10

Item	Part Number	Description	Illustration	Price	Quantity	Price Group
48	1 619 X09 064	Stopper		1 \$ 0.68	1	10
49	1 619 X09 140	Depth gauge		1 \$ 1.12	1	11
50	2 610 932 332	Screw		1 \$ 0.68	1	10
51	1 619 X00 935	Hex Screw		1 \$ 2.01	1	14
52	1 619 P01 127	Rubber Ring		1 \$ 1.36	1	12
53	1 619 X08 308	Grommet		1 \$ 2.94	1	16
55	1 619 X01 017	O-Ring		1 \$ 0.68	1	10
58	1 619 X06 636	Sticker		1 \$ 0.68	1	10
69	2 610 025 684	Retaining ring		1 \$ 1.12	1	11
81	1 619 X06 254	Washer		1 \$ 0.68	1	10
83	1 619 X08 857	Locking Bolt		1 \$ 1.12	1	11
84	2 604 610 096	Compression Spring		1 \$ 1.12	1	11
86	1 619 X00 942	Washer		1 \$ 1.12	1	11
88	2 610 993 191	Cable Clip		1 \$ 0.68	1	10
89	1 619 X00 504	Screw		1 \$ 0.68	2	10
92	1 619 X09 038	Baffle		1 \$ 1.12	1	11
95	1 619 X08 861	Auxiliary Handle		1 \$ 3.73	1	17
96	1 619 P01 505	Screw		1 \$ 1.36	1	12
99	1 619 X01 268	Device cap		1 \$ 1.12	2	11
107	2 610 911 889	Set screw		1 \$ 1.12	1	11
110	1 619 P01 535	Washer		1 \$ 1.36	2	12
111	2 610 912 616	Washer		1 \$ 0.68	1	10
122	1 619 X09 563	Warning Label		1 \$ 0.68	1	10
320	1 619 X04 669	Spring		1 \$ 0.68	1	10
651	1 619 X04 755	Wrench Socket		1 \$ 2.94	1	16
652	1 600 A00 F4G	Vacuum Adapter		1 \$ 1.12	1	11
653	1 600 A00 F4J	Vacuum Adapter		1 \$ 1.12	1	11
801	1 619 X09 187	Motor Housing		1 \$ 19.50	1	31
808	1 619 X09 187	Motor Housing		1 \$ 19.50	1	31
810	1 619 X09 065	Brush-Spring Set		1 \$ 5.72	1	20
812	1 619 X09 720	Vacuum Hose		1 \$ 17.50	1	30
824	1 619 X09 678	Upper guard		1 \$ 34.00	1	36
890	1 619 X09 679	Base Plate		1 \$ 38.00	1	37

Illustration - Type E



F 012 675 100  
Issue 16-06-20  
Stand Fig./Abb. 1

Information subject to change without further notice.