

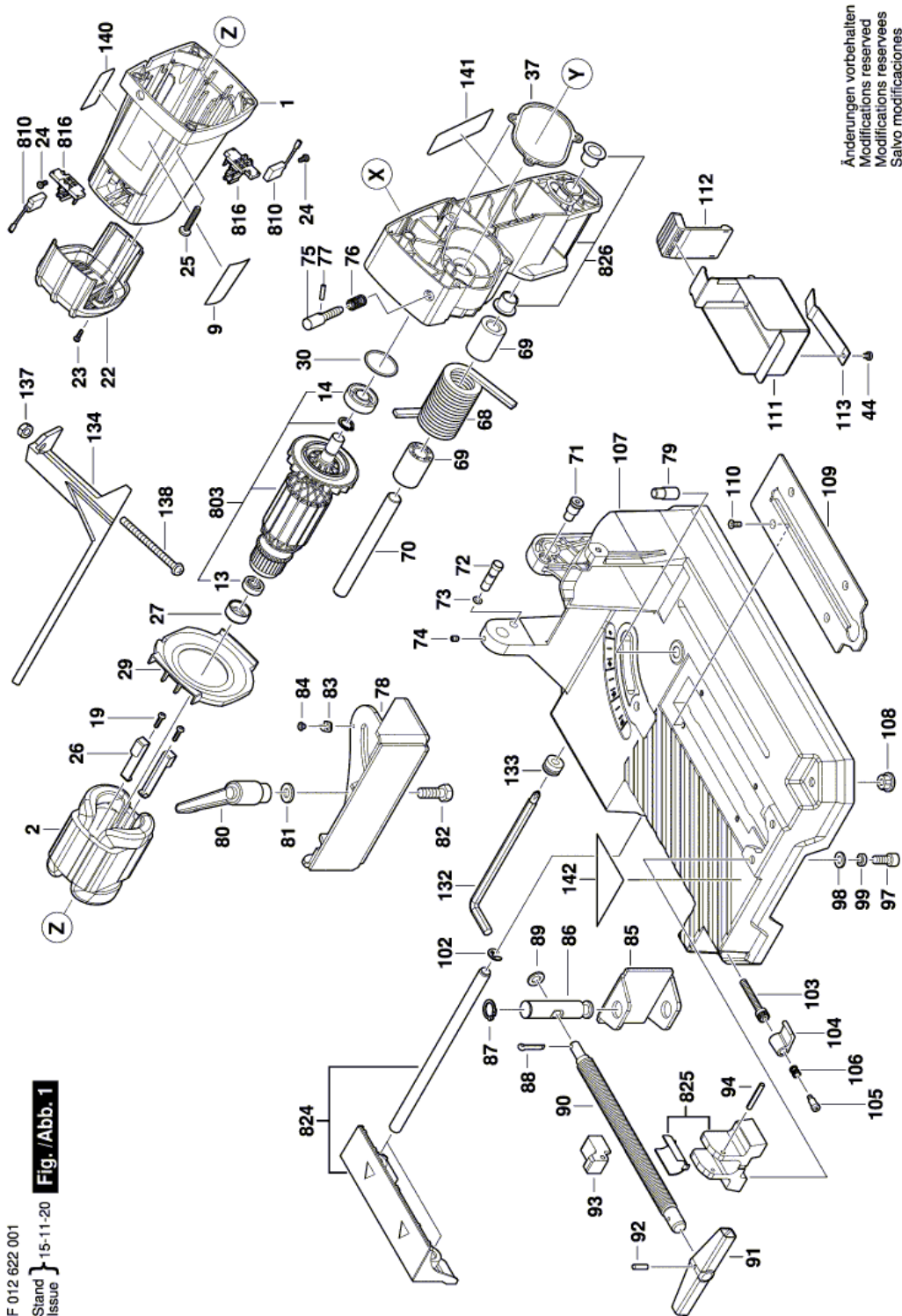
## . - F 012 622 001 - SPT62MTC

Item	Part Number	Description	Illustration	Price	Quantity	Price Group
1	1 609 B02 947	Motor Housing	1	\$ 12.36	1	26
2	1 609 B00 125	Field 110V	1	\$ 42.00	1	38
4	2 610 950 336	Switch	2	\$ 13.70	1	27
5	1 609 B02 945	Power supply cord	2	\$ 15.00	1	28
6	1 609 B04 628	Grommet	2	\$ 0.68	1	10
7	1 619 P03 808	Cable Clip	2	\$ 0.68	1	10
9	1 609 B05 444	Product label	1	\$ 0.68	1	10
13	1 619 P03 850	Bearing 608-2RS	1	\$ 1.36	1	12
14	1 609 B00 057	Bearing	1	\$ 5.72	1	20
18	1 609 B00 637	Tapping Screw	2	\$ 0.68	6	10
19	1 619 P03 833	Screw ECO-SYN St 3,5x16	1	\$ 0.68	4	10
22	1 609 B05 441	End cap	1	\$ 1.70	1	13
23	1 619 P03 832	Screw ECO-SYN St3x12	1	\$ 0.68	2	10
24	1 619 P03 834	Screw ECO-SYN St3,5x10	1	\$ 0.68	2	10
25	1 619 P03 835	Thread-forming tap. Screw DIN 7500 C-M6x35	1	\$ 0.68	4	10
26	1 609 B00 055	Pickup Clip	1	\$ 0.68	2	10
27	1 600 206 030	Rubber Ring	1	\$ 1.12	1	11
29	1 619 P03 822	Air-Deflector Ring	1	\$ 1.36	1	12
30	1 609 B00 068	O-Ring	1	\$ 0.68	1	10
31	1 609 B01 267	Ball Bearing	2	\$ 1.70	3	13
36	1 609 B04 619	Bearing	2	\$ 3.73	1	17
37	1 609 B04 650	mat seal	1	\$ 0.68	1	10
38	1 609 B04 623	Flange	2	\$ 4.31	1	18
39	1 609 B04 624	Flange	2	\$ 4.31	1	18
40	1 609 B04 625	Flange Bolt	2	\$ 1.12	1	11
41	1 609 B05 433	Gear Box	2	\$ 38.00	1	37
42	1 609 B04 649	Screw	2	\$ 0.68	4	10
43	1 609 B04 622	Bearing cover	2	\$ 0.68	1	10
44	1 609 B00 780	Screw	1	\$ 0.68	4	10
45	1 609 B04 664	Chip Deflector	2	\$ 2.01	1	14
46	1 609 B00 978	Screw	2	\$ 0.68	4	10
57	1 609 B00 703	Plain Washer	2	\$ 0.68	2	10

Item	Part Number	Description	Illustration	Price	Quantity	Price Group
58	1 609 B04 667	Bushing	2	\$ 0.68	1	10
59	1 609 B01 956	Retaining clip	2	\$ 0.68	1	10
60	1 619 P03 802	Shoulder Screw	2	\$ 0.68	1	10
61	1 619 P03 841	Spring Washer DIN 127 B6	2	\$ 0.68	1	10
62	1 609 B05 417	Special Screw	2	\$ 0.68	1	10
63	1 609 B00 931	O-Ring	2	\$ 0.68	1	10
64	1 609 B04 636	Linkage	2	\$ 2.58	1	15
65	1 609 B00 971	Screw	2	\$ 0.68	1	10
68	1 609 B00 024	Torsion Spring	1	\$ 12.36	1	26
69	1 609 B04 648	Bushing	1	\$ 0.68	2	10
70	1 609 B04 660	Pivot Shaft	1	\$ 2.94	1	16
71	1 609 B01 599	Control Screw	1	\$ 1.12	1	11
72	1 609 B02 942	Locking Pin	1	\$ 1.12	1	11
73	1 609 B02 941	O-Ring	1	\$ 0.68	1	10
74	1 619 P03 839	Stop Screw ISO 4027-M 5x8-45H	1	\$ 0.68	1	10
75	1 609 B04 620	Locking Pin	1	\$ 1.12	1	11
76	1 609 B04 621	Compression Spring	1	\$ 0.68	1	10
77	1 609 B04 678	Spring Pin	1	\$ 0.68	1	10
78	1 609 B05 442	Mitre Fence	1	\$ 17.50	1	30
79	1 609 B04 663	Pivot Pin	1	\$ 0.68	1	10
80	1 609 B00 753	Lever	1	\$ 1.70	1	13
81	1 609 B00 757	Plain Washer	1	\$ 0.68	1	10
82	1 609 B04 661	Hexagon Bolt	1	\$ 0.68	1	10
83	1 609 B04 642	Pointer	1	\$ 0.68	1	10
84	1 609 B05 401	Screw	1	\$ 0.68	1	10
85	1 609 B00 409	Clamp Bracket	1	\$ 3.73	1	17
86	1 609 B04 638	Connecting Rod	1	\$ 2.94	1	16
87	1 619 P03 755	Spring retaining ring DIN 471-18	1	\$ 0.68	1	10
88	1 619 P03 756	Rivet Pin DIN 94-4x22	1	\$ 0.68	1	10
89	1 619 P03 757	Plain Washer DIN 433-10	1	\$ 0.68	1	10
90	1 609 B04 637	Clamp Screw	1	\$ 5.72	1	20
91	1 609 B03 523	Clamp Handle	1	\$ 1.12	1	11
92	1 619 P03 752	Spring Pin ISO 1337 4x18	1	\$ 0.68	1	10
93	1 609 B03 576	Clamping Block	1	\$ 3.73	1	17
94	1 619 P03 762	Spring Pin ISO 13337-4x35	1	\$ 0.68	1	10
97	1 619 P03 827	Socket head cap screw ISO 4762-M 8x20-8.8	1	\$ 0.68	2	10
98	1 619 P03 828	Plain Washer DIN 125 A8	1	\$ 0.68	2	10
99	1 619 P03 829	Spring Washer DIN 127 B8	1	\$ 0.68	2	10
102	1 609 B00 644	Retaining ring	1	\$ 0.68	2	10
103	1 609 B00 234	Screw	1	\$ 2.94	1	16
104	1 609 B00 410	Locking Lever	1	\$ 0.68	1	10
105	1 609 B00 236	Shoulder Screw	1	\$ 0.68	1	10
106	1 609 B00 237	Compression Spring	1	\$ 0.68	1	10
107	1 609 B00 412	Base	1	\$ 89.00	1	45
108	1 609 B00 227	Rubber Bushing	1	\$ 0.68	5	10
109	1 609 B04 641	Guide Plate	1	\$ 4.31	1	18
110	1 609 B00 634	Screw	1	\$ 0.68	4	10
111	1 609 B04 634	Chip box	1	\$ 5.72	1	20
112	1 609 B04 635	Protective Cover	1	\$ 1.36	1	12
113	1 609 B04 633	Leaf Spring	1	\$ 0.68	1	10

Item	Part Number	Description	Illustration	Price	Quantity	Price Group
114	1 609 B05 436	Protecting Cover	2	\$ 0.68	1	10
115	1 609 B02 943	Button	2	\$ 0.68	1	10
116	1 609 B01 529	Linkage	2	\$ 0.68	1	10
117	1 609 B01 530	Compression Spring	2	\$ 0.68	1	10
118	1 609 B03 137	Screw	2	\$ 0.68	2	10
119	1 609 B02 948	Carrying Handle	2	\$ 2.94	1	16
120	1 609 B04 652	Screw	2	\$ 0.68	2	10
122	1 609 B00 655	Screw	2	\$ 0.68	4	10
123	1 609 B01 356	Cyl Head tapping screw	2	\$ 0.68	1	10
124	1 609 B02 949	Trigger	2	\$ 1.12	1	11
125	1 609 BP7 059	Connection Block	2	\$ 0.68	1	10
132	1 609 B05 416	Offset Screwdriver	1	\$ 1.70	1	13
133	1 609 B05 419	Rubber Bushing	1	\$ 0.68	1	10
134	1 609 B05 440	Face Shield	1	\$ 2.58	1	15
135	1 609 B01 663	Screw	2	\$ 0.68	2	10
136	1 609 B05 435	Mounting Plate	2	\$ 0.68	1	10
137	1 609 B03 570	Self-locking nut	1	\$ 0.68	1	10
138	1 609 B01 680	Screw	1	\$ 0.68	1	10
139	1 609 B05 445	Warning Label	2	\$ 0.68	1	10
140	1 609 B05 446	Warning Label	1	\$ 0.68	1	10
141	1 609 B05 447	Warning Label	1	\$ 0.68	1	10
142	1 609 B05 448	Warning Label	1	\$ 0.68	1	10
803	1 609 B04 680	Armature assembly 110V	1	\$ 59.00	1	41
808	1 609 B05 443	Nameplate	2	\$ 0.68	1	10
810	1 607 014 171	Carbon-Brush Set	1	\$ 11.12	1	25
816	1 604 336 048	Brush Holder	1	\$ 4.94	2	19
822	1 609 B04 681	Spindle With Gear	2	\$ 24.00	1	33
823	1 609 B04 682	Spindle With Gear	2	\$ 16.00	1	29
824	1 609 B00 428	Extension Stand	1	\$ 13.70	1	27
825	1 609 B00 429	Bearing Block	1	\$ 3.73	1	17
826	1 609 B00 431	Arm	1	\$ 52.50	1	40
827	1 609 B00 432	Lower guard	2	\$ 30.50	1	35
828	1 609 B00 433	Soft Start-Up Module	2	\$ 19.50	1	31
829	1 609 B05 437	Switch Handle	2	\$ 11.12	1	25

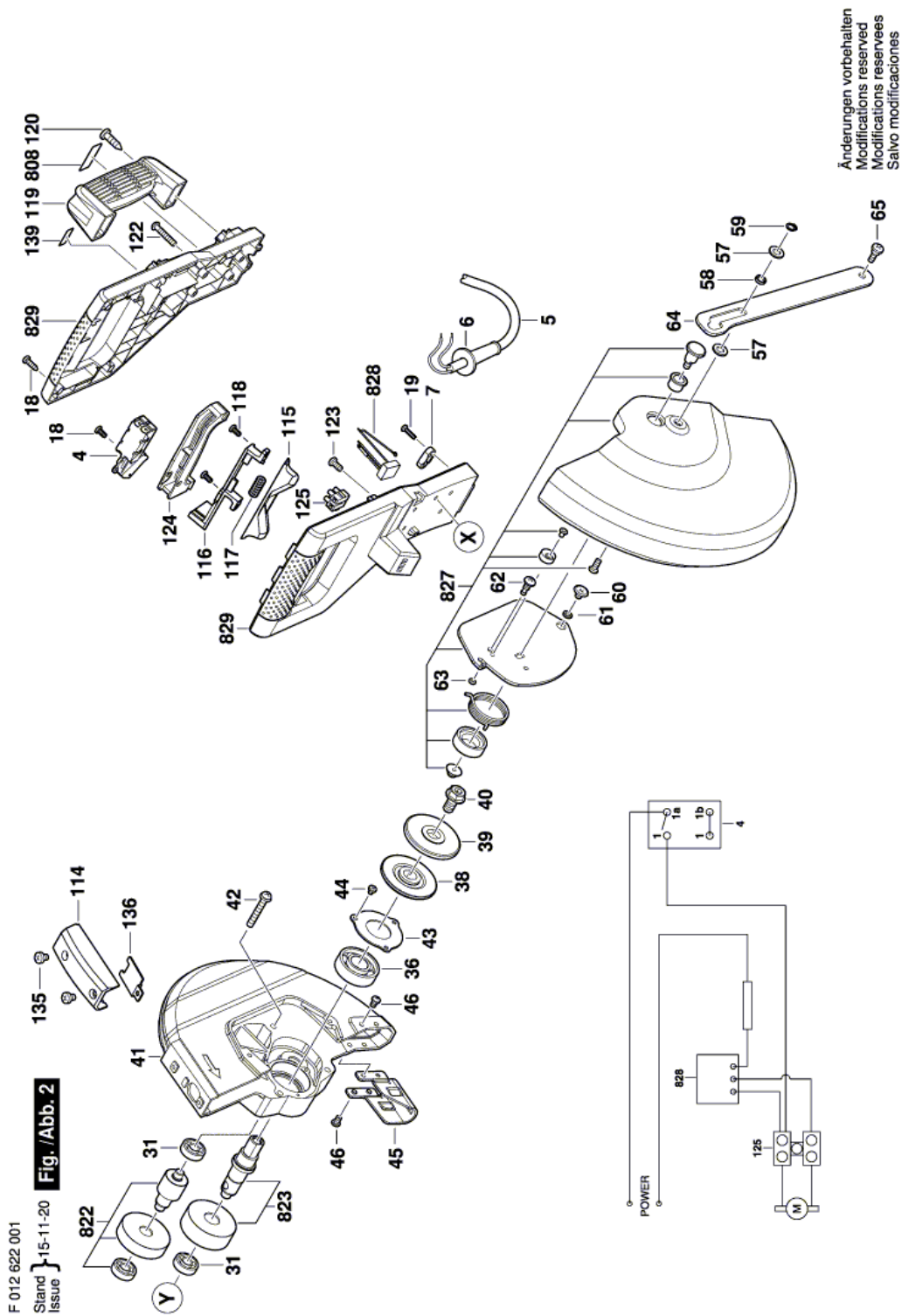
Illustration - Type E



F 012 622 001  
Stand / Issue / 15-11-20 / Fig. / Abb. 1

Änderungen vorbehalten  
Modifications reserved  
Modificaciones reservadas  
Salvo modificaciones

Illustration - Type E



Information subject to change without further notice.