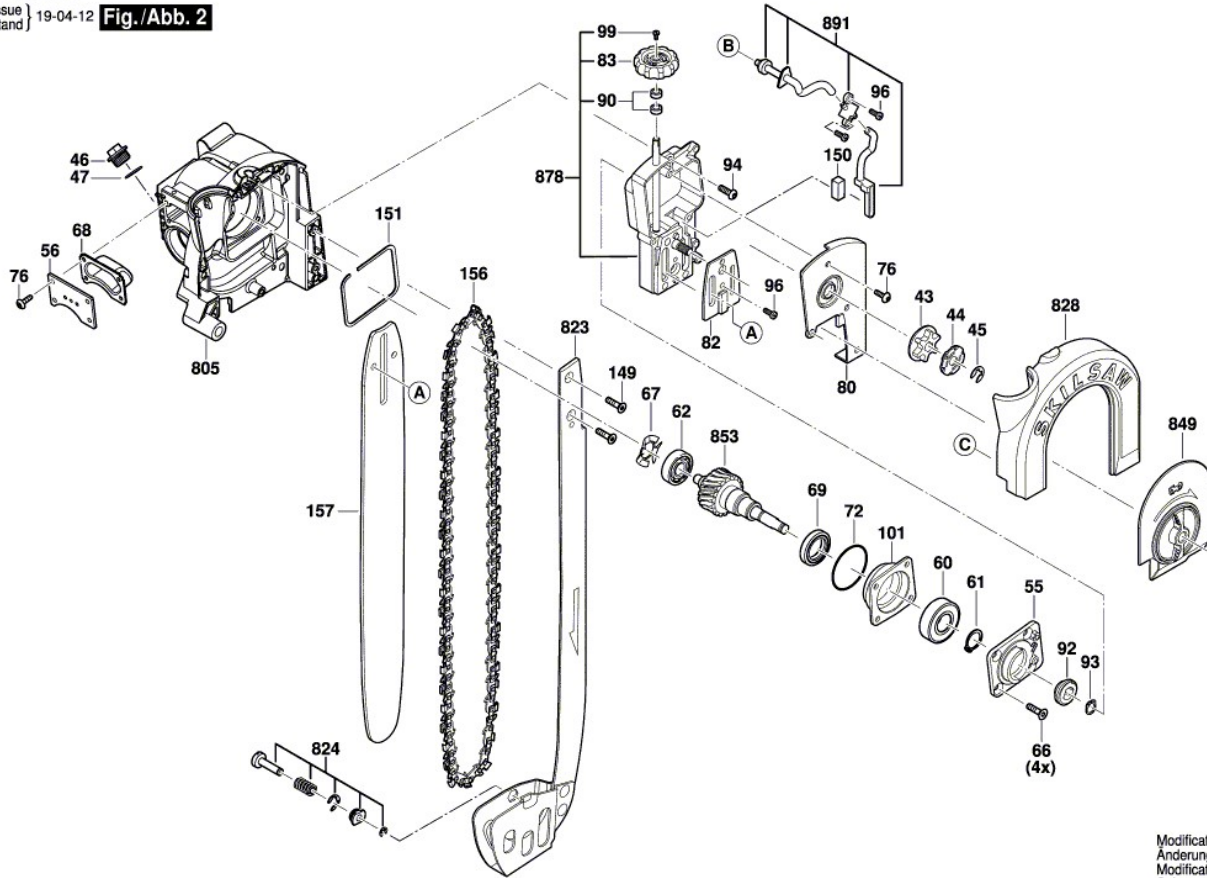




F 012 289 1GE
Issue | 19-04-12
Stand | **Fig./Abb. 2**



Modifications reserved
Änderungen vorbehalten
Modifications réservées
Salvo modificaciones



| Pos. | Part Number | Description | Pos. | Part Number | Description |
|------|---------------|---------------|------|---------------|---------------------|
| 2 | 2 610 054 270 | | 107 | 1 619 X04 746 | |
| 3 | 2 610 054 271 | | 108 | 2 610 054 294 | |
| 4 | 2 610 054 272 | | 111 | 2 610 315 380 | Screw |
| 5 | 1 609 730 368 | | 112 | 2 610 054 295 | |
| 7 | 1 619 X04 671 | | 115 | 2 610 054 296 | |
| 14 | 1 619 X04 676 | | 122 | 2 610 911 889 | Screw |
| 16 | 1 619 X04 708 | | 125 | 1 609 730 372 | |
| 19 | 2 610 315 299 | Screw | 126 | 2 610 912 616 | Plain Washer |
| 29 | 2 610 054 273 | | 127 | 2 610 968 747 | Retaining snap ring |
| 30 | 2 610 054 274 | | 128 | 1 619 X04 719 | |
| 31 | 2 610 017 875 | Ball Bearing | 129 | 1 619 X09 155 | |
| 32 | 2 610 054 276 | | 130 | 1 619 X09 153 | |
| 33 | 2 610 054 277 | | 131 | 1 619 X09 150 | |
| 35 | 2 610 054 278 | | 132 | 1 619 X09 140 | |
| 43 | 2 610 054 279 | | 133 | 1 619 P01 535 | Washer |
| 44 | 2 610 054 280 | | 134 | 1 619 X07 724 | |
| 45 | 2 610 054 281 | | 135 | 2 610 054 297 | |
| 46 | 1 619 X06 474 | | 136 | 2 610 911 837 | Roller Pin |
| 47 | 1 616 B10 364 | | 137 | 1 619 X01 283 | Cap Nut |
| 52 | 1 619 X01 262 | Stud | 138 | 2 610 054 298 | |
| 55 | 2 610 054 282 | | 144 | 1 619 X04 738 | |
| 56 | 1 619 X09 778 | | 145 | 2 610 054 299 | |
| 57 | 1 619 X01 268 | Device cap | 146 | 1 619 X09 133 | |
| 58 | 1 619 X04 712 | | 147 | 2 610 054 300 | |
| 59 | 1 619 X01 272 | Collar | 149 | 2 610 054 301 | |
| 60 | 2 610 024 748 | Ball Bearing | 150 | 2 610 054 302 | |
| 61 | 2 610 054 283 | | 151 | 2 610 054 303 | |
| 62 | 2 610 000 166 | Ball Bearing | 152 | 2 610 054 304 | |
| 63 | 1 619 X06 222 | | 155 | 1 619 X09 133 | |
| 65 | 1 619 X04 687 | | 156 | 2 610 054 319 | |
| 66 | 2 610 027 002 | Screw | 157 | 2 610 054 320 | |
| 67 | 2 610 004 459 | Washer | 801 | 2 610 054 309 | |
| 68 | 1 619 X09 779 | | 805 | 2 610 054 314 | |
| 69 | 1 619 X07 731 | | 809 | 2 610 054 316 | |
| 70 | 1 619 X04 740 | | 810 | 2 610 054 315 | |
| 71 | 1 609 730 371 | | 811 | 2 610 054 305 | |
| 72 | 1 600 210 070 | | 813 | 1 619 X09 014 | |
| 73 | 1 619 X05 847 | | 814 | 2 610 054 307 | |
| 74 | 2 610 318 324 | Nut | 823 | 2 610 054 313 | |
| 75 | 1 619 X05 948 | | 824 | 2 610 054 312 | |
| 76 | 1 619 X06 749 | | 828 | 2 610 054 317 | |
| 77 | 2 610 054 284 | | 834 | 2 610 054 318 | |
| 80 | 2 610 054 285 | | 849 | 2 610 054 306 | |
| 81 | 2 610 054 286 | | 853 | 2 610 054 308 | |
| 82 | 2 610 054 287 | | 878 | 2 610 054 311 | |
| 83 | 2 610 054 288 | | 891 | 2 610 054 310 | |
| 90 | 2 610 054 289 | | | | |
| 92 | 2 610 054 290 | | | | |
| 93 | 2 610 054 291 | | | | |
| 94 | 2 610 993 549 | Screw | | | |
| 95 | 2 610 911 890 | Screw | | | |
| 96 | 2 610 054 292 | | | | |
| 99 | 2 610 054 293 | | | | |
| 101 | 1 619 X01 253 | Bearing Plate | | | |
| 102 | 2 610 901 971 | Screw | | | |
| 103 | 2 610 027 039 | Fitting Screw | | | |
| 104 | 1 619 X03 644 | | | | |
| 106 | 2 610 932 332 | Screw | | | |

. - F 012 289 1GE - SPT55

| Item | Part Number | Description | Illustration | Price | Quantity | Price Group |
|------|------------------|-------------------|--------------|---------|----------|-------------|
| | 2 2 610 054 270 | Field | 1 | -,- | 1 | - |
| | 3 2 610 054 271 | Armature | 1 | -,- | 1 | - |
| | 4 2 610 054 272 | On-Off Switch | 1 | -,- | 1 | - |
| | 5 1 609 730 368 | Power supply cord | 1 | -,- | 1 | - |
| | 7 1 619 X04 671 | Cable Clip | 1 | \$ 0.68 | 1 | 10 |
| | 14 1 619 X04 676 | Ball Bearing | 1 | \$ 2.58 | 1 | 15 |
| | 16 1 619 X04 708 | Brush Holder | 1 | \$ 2.58 | 2 | 15 |
| | 19 2 610 315 299 | Screw | 1 | \$ 1.12 | 4 | 11 |
| | 29 2 610 054 273 | Screw | 1 | -,- | 1 | - |
| | 30 2 610 054 274 | Nut | 1 | -,- | 1 | - |
| | 31 2 610 017 875 | Ball Bearing | 1 | \$ 2.94 | 1 | 16 |
| | 32 2 610 054 276 | Base | 1 | -,- | 1 | - |
| | 33 2 610 054 277 | Tank | 1 | -,- | 1 | - |
| | 35 2 610 054 278 | Pin | 1 | -,- | 2 | - |
| | 43 2 610 054 279 | Sprocket | 2 | -,- | 1 | - |
| | 44 2 610 054 280 | Washer | 2 | -,- | 1 | - |
| | 45 2 610 054 281 | Retaining ring | 2 | -,- | 1 | - |
| | 46 1 619 X06 474 | Oil Drain Plug | 2 | \$ 2.01 | 1 | 14 |
| | 47 1 616 B10 364 | O-Ring | 2 | \$ 0.68 | 1 | 10 |
| | 52 1 619 X01 262 | Stud | 1 | \$ 1.12 | 2 | 11 |
| | 55 2 610 054 282 | Bearing cover | 2 | -,- | 1 | - |
| | 56 1 619 X09 778 | Cover | 2 | \$ 1.12 | 1 | 11 |
| | 57 1 619 X01 268 | Device cap | 1 | \$ 1.12 | 2 | 11 |
| | 58 1 619 X04 712 | O-Ring | 1 | \$ 0.68 | 3 | 10 |
| | 59 1 619 X01 272 | Collar | 1 | \$ 2.01 | 1 | 14 |
| | 60 2 610 024 748 | Ball Bearing | 2 | \$ 2.58 | 1 | 15 |
| | 61 2 610 054 283 | Retaining ring | 2 | -,- | 1 | - |
| | 62 2 610 000 166 | Ball Bearing | 2 | \$ 2.94 | 1 | 16 |
| | 63 1 619 X06 222 | O-Ring | 1 | \$ 1.12 | 1 | 11 |
| | 65 1 619 X04 687 | O-Ring | 1 | \$ 0.68 | 1 | 10 |
| | 66 2 610 027 002 | Screw | 2 | \$ 1.12 | 4 | 11 |
| | 67 2 610 004 459 | Spring Washer | 1 | \$ 1.12 | 2 | 11 |

| Item | Part Number | Description | Illustration | Price | Quantity | Price Group |
|------|---------------|-----------------------|--------------|---------|----------|-------------|
| 68 | 1 619 X09 779 | Rubber Gasket | 2 | \$ 1.12 | 1 | 11 |
| 69 | 1 619 X07 731 | Seal | 2 | \$ 2.58 | 1 | 15 |
| 70 | 1 619 X04 740 | Seal | 1 | \$ 4.31 | 1 | 18 |
| 71 | 1 609 730 371 | Screw | 1 | -,- | 2 | - |
| 72 | 1 600 210 070 | O-Ring | 2 | \$ 0.68 | 1 | 10 |
| 73 | 1 619 X05 847 | Washer | 1 | \$ 0.68 | 1 | 10 |
| 74 | 2 610 318 324 | Nut | 1 | \$ 1.12 | 1 | 11 |
| 75 | 1 619 X05 948 | Bearing Cover | 1 | \$ 1.12 | 1 | 11 |
| 76 | 1 619 X06 749 | Screw | 1 | \$ 0.68 | 16 | 10 |
| 77 | 2 610 054 284 | Ball Bearing | 1 | -,- | 1 | - |
| 80 | 2 610 054 285 | Cover | 2 | -,- | 1 | - |
| 81 | 2 610 054 286 | Bearing cover | 1 | -,- | 1 | - |
| 82 | 2 610 054 287 | Support Plate | 2 | -,- | 1 | - |
| 83 | 2 610 054 288 | Hand Wheel | 2 | -,- | 1 | - |
| 90 | 2 610 054 289 | Felt Washer | 2 | -,- | 3 | - |
| 92 | 2 610 054 290 | Gear | 2 | -,- | 1 | - |
| 93 | 2 610 054 291 | Retaining ring | 2 | -,- | 1 | - |
| 94 | 2 610 993 549 | Screw | 2 | \$ 0.68 | 4 | 10 |
| 95 | 2 610 911 890 | Screw | 1 | \$ 0.68 | 3 | 10 |
| 96 | 2 610 054 292 | Screw | 2 | -,- | 3 | - |
| 99 | 2 610 054 293 | Screw | 2 | -,- | 1 | - |
| 101 | 1 619 X01 253 | Bearing Plate | 2 | \$ 4.31 | 1 | 18 |
| 102 | 2 610 901 971 | Screw | 1 | \$ 0.68 | 1 | 10 |
| 103 | 2 610 027 039 | Set screw | 1 | \$ 0.68 | 2 | 10 |
| 104 | 1 619 X03 644 | Screw | 1 | \$ 0.68 | 1 | 10 |
| 106 | 2 610 932 332 | Screw | 1 | \$ 1.12 | 3 | 11 |
| 107 | 1 619 X04 746 | Screw | 1 | \$ 1.12 | 4 | 11 |
| 108 | 2 610 054 294 | Handle | 1 | -,- | 1 | - |
| 111 | 2 610 315 380 | Screw | 1 | \$ 1.12 | 4 | 11 |
| 112 | 2 610 054 295 | Nut | 1 | -,- | 1 | - |
| 115 | 2 610 054 296 | Bracket | 1 | -,- | 1 | - |
| 122 | 2 610 911 889 | Set screw | 1 | \$ 1.12 | 1 | 11 |
| 125 | 1 609 730 372 | Set screw | 1 | -,- | 1 | - |
| 126 | 2 610 912 616 | Washer | 1 | \$ 0.68 | 2 | 10 |
| 127 | 2 610 968 747 | Spring retaining ring | 1 | \$ 1.12 | 2 | 11 |
| 128 | 1 619 X04 719 | Locking Lever | 1 | \$ 1.36 | 2 | 12 |
| 129 | 1 619 X09 155 | Lock Nut | 1 | \$ 0.68 | 1 | 10 |
| 130 | 1 619 X09 153 | Nut | 1 | \$ 0.68 | 1 | 10 |
| 131 | 1 619 X09 150 | Clip | 1 | \$ 0.68 | 2 | 10 |
| 132 | 1 619 X09 140 | Depth gauge | 1 | \$ 1.12 | 1 | 11 |
| 133 | 1 619 P01 535 | Washer | 1 | \$ 1.36 | 1 | 12 |
| 134 | 1 619 X07 724 | Washer | 1 | \$ 1.12 | 1 | 11 |
| 135 | 2 610 054 297 | Screw | 1 | -,- | 1 | - |
| 136 | 2 610 911 837 | Bolt | 1 | \$ 1.12 | 1 | 11 |
| 137 | 1 619 X01 283 | Nut | 1 | \$ 1.70 | 2 | 13 |
| 138 | 2 610 054 298 | Splintering Protector | 1 | -,- | 1 | - |
| 144 | 1 619 X04 738 | Screw | 1 | \$ 1.12 | 4 | 11 |
| 145 | 2 610 054 299 | Tube | 1 | -,- | 1 | - |
| 146 | 1 619 X09 133 | Handle | 1 | \$ 4.31 | 1 | 18 |
| 147 | 2 610 054 300 | Screw | 1 | -,- | 1 | - |

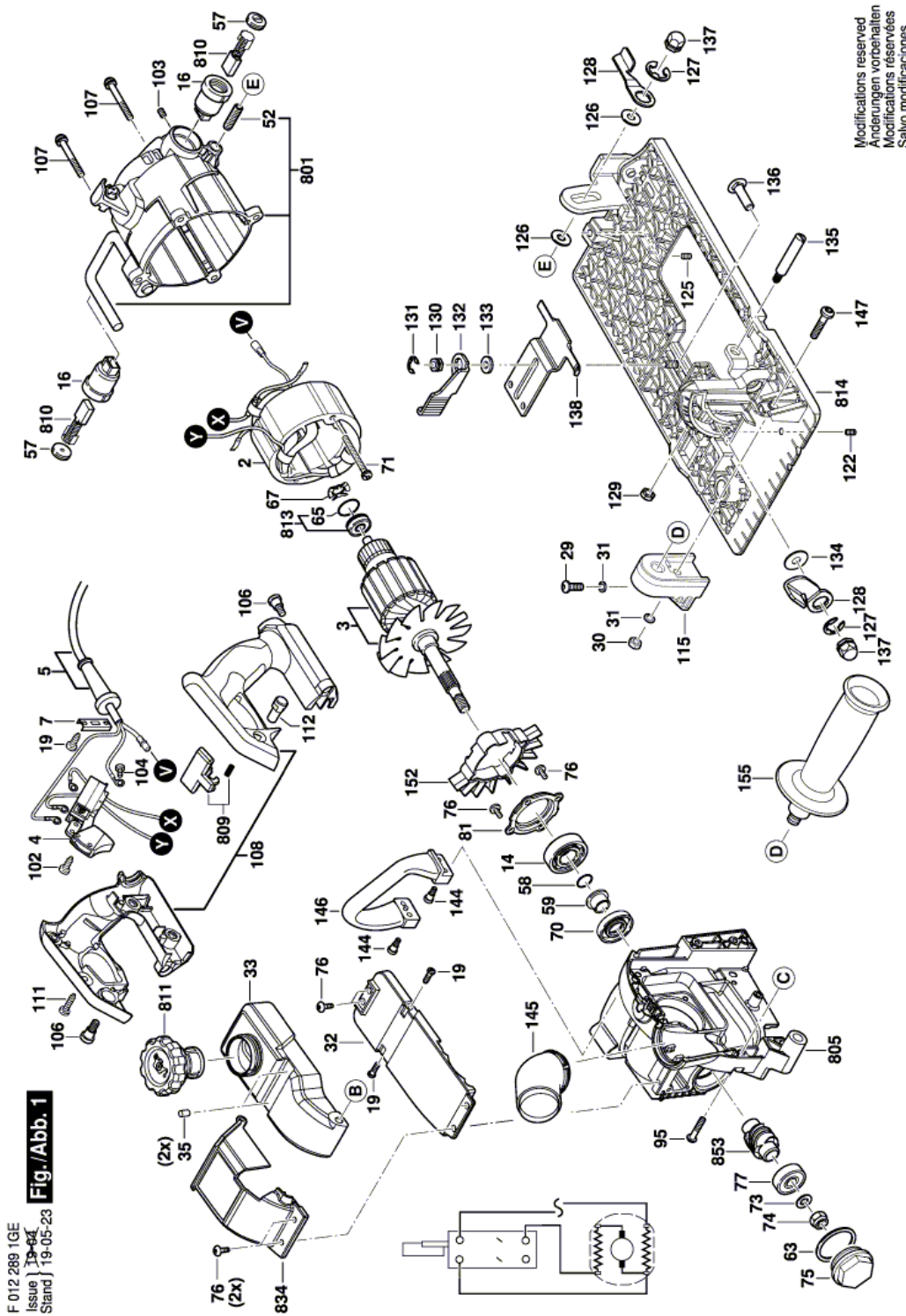
| Item | Part Number | Description | Illustration | Price | Quantity | Price Group |
|------|---------------|---------------------|--------------|---------|----------|-------------|
| 149 | 2 610 054 301 | Screw | 2 | -,- | 2 | - |
| 150 | 2 610 054 302 | Felt Strip | 2 | -,- | 1 | - |
| 151 | 2 610 054 303 | Felt Seal | 2 | -,- | 1 | - |
| 152 | 2 610 054 304 | Guide Ring | 1 | -,- | 1 | - |
| 155 | 1 619 X09 133 | Handle | 1 | \$ 4.31 | 1 | 18 |
| 156 | 2 610 054 319 | Saw Chain | 2 | -,- | 1 | - |
| 157 | 2 610 054 320 | Chain Guide | 2 | -,- | 1 | - |
| 801 | 2 610 054 309 | Motor Housing | 1 | -,- | 1 | - |
| 805 | 2 610 054 314 | Gear Housing | 1 | -,- | 1 | - |
| 809 | 2 610 054 316 | Switch Button | 1 | -,- | 1 | - |
| 810 | 2 610 054 315 | Carbon-Brush Set | 1 | -,- | 1 | - |
| 811 | 2 610 054 305 | Cap | 1 | -,- | 1 | - |
| 813 | 1 619 X09 014 | groove ball bearing | 1 | \$ 3.73 | 1 | 17 |
| 814 | 2 610 054 307 | Base Plate | 1 | -,- | 1 | - |
| 823 | 2 610 054 313 | Chain Guard | 2 | -,- | 1 | - |
| 824 | 2 610 054 312 | Pressure Screw | 2 | -,- | 1 | - |
| 828 | 2 610 054 317 | Protective Guard | 2 | -,- | 1 | - |
| 834 | 2 610 054 318 | Cover | 1 | -,- | 1 | - |
| 849 | 2 610 054 306 | Clamping Plate | 2 | -,- | 1 | - |
| 853 | 2 610 054 308 | Worm-Gear Pair | 1 | -,- | 1 | - |
| 878 | 2 610 054 311 | Mounting Plate | 2 | -,- | 1 | - |
| 891 | 2 610 054 310 | Pump | 2 | -,- | 1 | - |

NO Lubrication instructions available for this product

Product information . - F 012 289 1GE - SPT55

| | |
|---------------------|---------------|
| Product No | F 012 289 1GE |
| Description | 0; . |
| DIN-Text | |
| ID_Text_Ext | 0 |
| Trading_Description | SPT55 |
| Voltage_1 | 120 V |
| ID_Country_Product | USA |

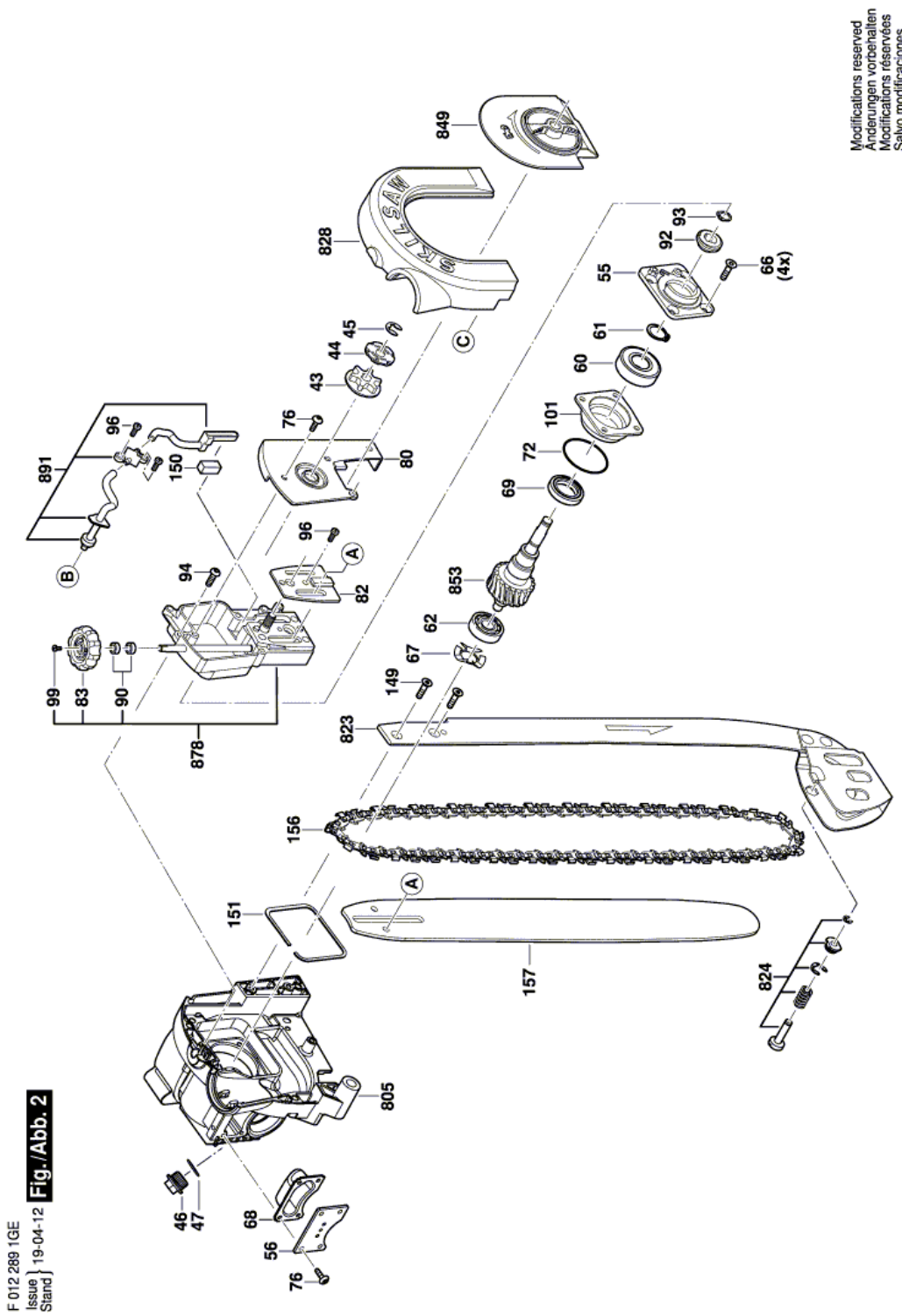
Illustration - Type E



F 012 289 1GE
Issue | 19-05-23
Stand | 19-05-23
Fig./Abb. 1

Modifications reserved
Änderungen vorbehalten
Modificacions reservadas
Salvo modificaciones

Illustration - Type E



F 012 289 1GE
Issue } 19-04-12
Stand } **Fig./Abb. 2**

Modifications reserved
Änderungen vorbehalten
Modificaciones reservadas
Salvo modificaciones

Information subject to change without further notice.