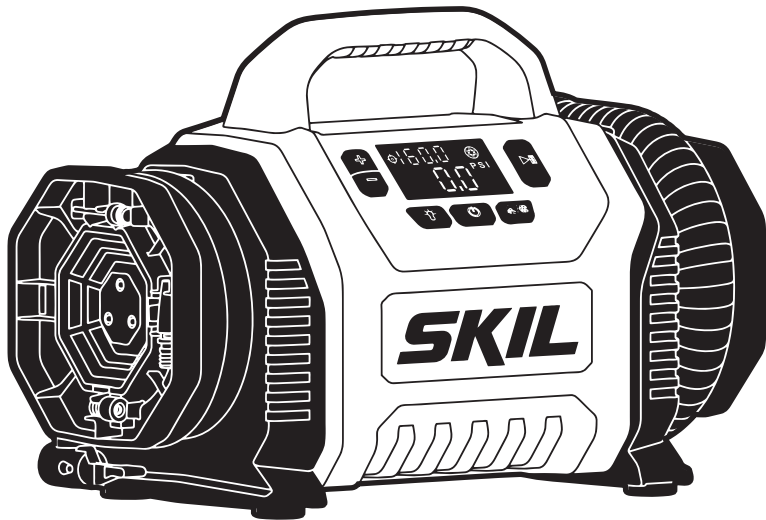


SKIL®



Model: IF5940E-00

PWRCORE 20™

Cordless Dual Function Inflator

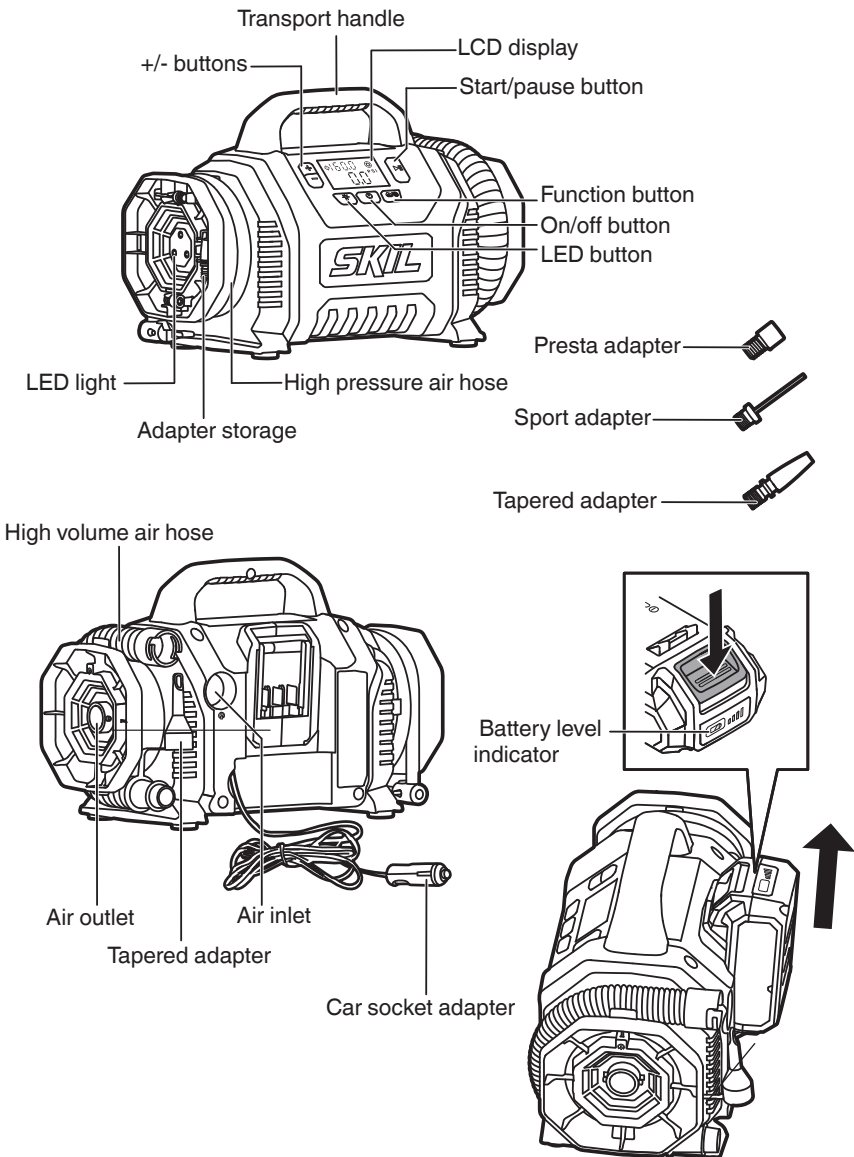
⚠ WARNING: To reduce the risk of injury, the user must read and understand the Owner's Manual before using this product. Save these instructions for future reference.



For Customer Service

1300-017-545 OR **www.skil.com.au**

1



② SPECIFICATIONS

Rated voltage	20V max d.c. or 12V d.c. Vehicle Power
Maximum Air Pressure	11 BAR
Weight	2.3kg (2.5Ah battery attached) 2.5kg (5.0Ah battery attached)
Air speed	800L/min

③



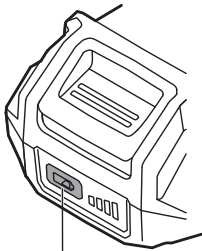
④



⑤

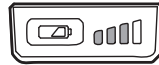


⑥

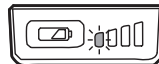


Battery level indicator

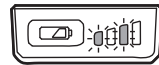
⑥ a



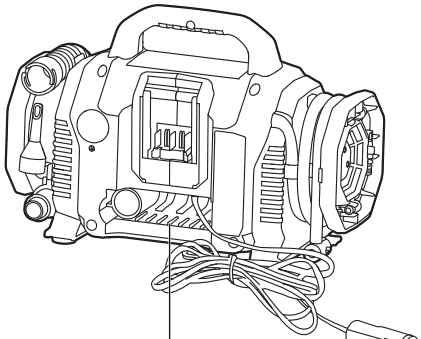
⑥ b



⑥ c



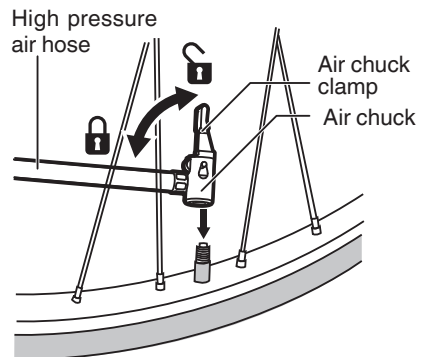
⑦

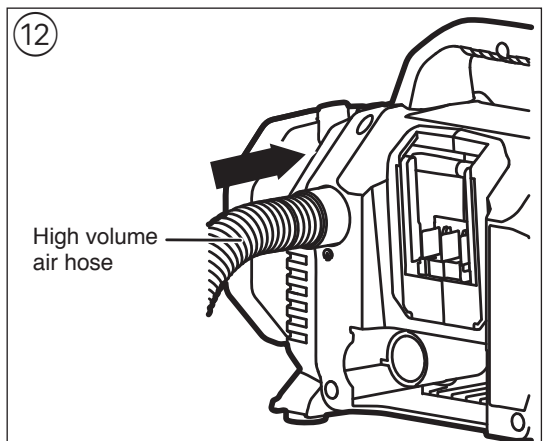
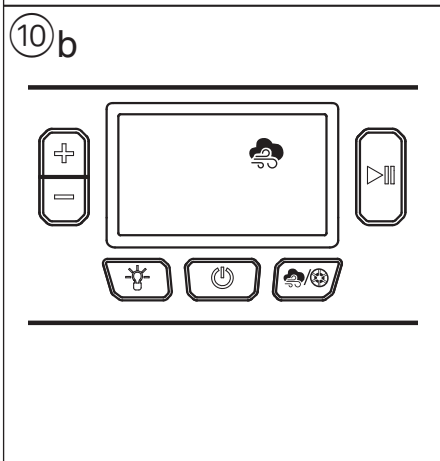
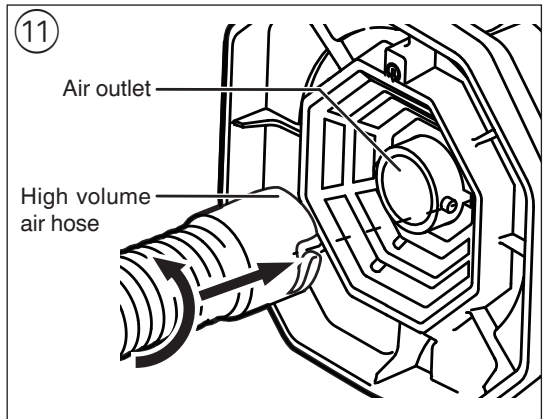
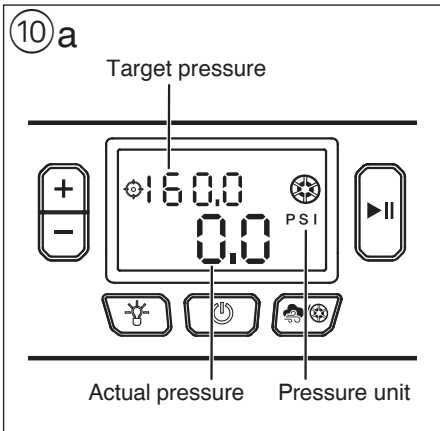
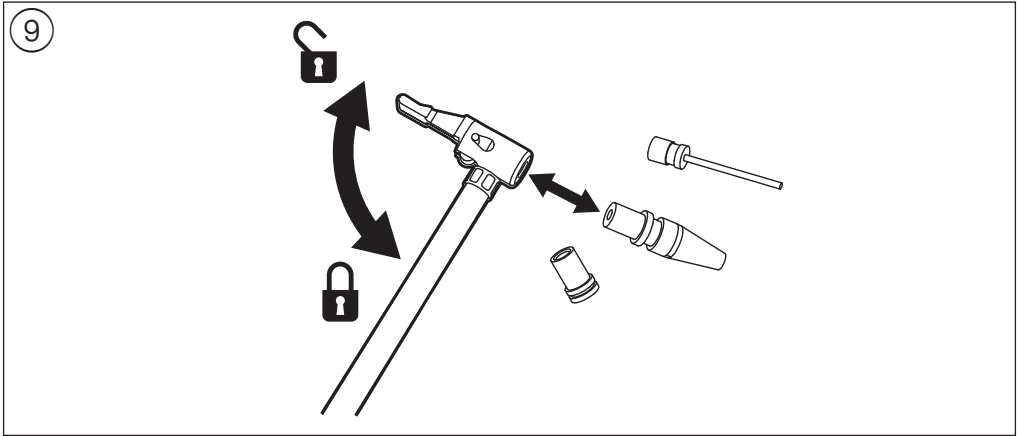


Storage compartment

Car socket adapter

⑧





INTRODUCTION

- This tool is intended for inflating tires, balls and other small volume items which fit the air chuck directly, or by using the supplied adapters
- This tool is intended for inflating large volume items such as air beds, pools, boats, etc.
- This tool is not intended for professional use
- Read this instruction manual carefully before use and save it for future reference ③

SAFETY

- **Never allow children, persons with reduced physical, sensory or mental capabilities or lack of experience and knowledge or people unfamiliar with these instructions to use the tool.**
- **Supervise children**(this will ensure that children do not play with the tool)
- **Cleaning and user maintenance of the tool shall not be made by children without supervision**
- **Do not operate power tools in explosive atmospheres, such as in the presence of flammable liquids, gases or dust.** Power tools create sparks which may ignite the dust or fumes.
- **Do not expose power tools to rain or wet conditions.** Water entering a power tool will increase the risk of electric shock.
- Store the tool **indoors** in a dry and locked-up place, out of reach of children
- Do not use tool when damaged; take it to one of the officially registered SKIL Service Stations for a safety check
- **Have your power tool serviced by a qualified repair person using only identical replacement parts.** This will ensure that the safety of the power tool is maintained.
- Provide for good ventilation at the working place
- **Make sure that the hose is free of obstructions or snags.** Entangled or snarled hoses may become damaged
- Never leave an inflator unattended with the air hose attached
- Do not continue to use an inflator or hose that leaks air or does not function properly
- Do not attempt to pull or carry the inflator by the hoses

Only use the following batteries and chargers with this tool

- SKIL battery: BY5197E-03 BY5196E-03
- SKIL charger: SC5358E-01 QC5360E-01 QC5359E-00
- Do not use battery when damaged; it should be replaced immediately
- Do not disassemble the battery
- Do not expose tool/battery to rain
- Permitted ambient temperature (tool/charger/battery):
 - when charging 4...40°C
 - during operation -20...+50°C
 - during storage -20...+50°C

EXPLANATION OF SYMBOLS ON TOOL/BATTERY

- ③ Read the instruction manual before use
- ④ Insulation class III
- ⑤ Do not dispose of electric tools and batteries together with household waste material

USE

- Charging battery
 - ! **read the safety warnings and instructions provided with the charger**
- Removing/installing the battery ①
- Battery protection

The tool is suddenly being switched off or prevented from being switched on, when

- **the load is too high** --> remove load and restart
- **the battery temperature is not within the allowable operating temperature range of -20 to +50°C** --> 2 levels of the battery level indicator start flashing when pressing button ⑥c; wait until battery has returned within the allowable operating temperature range.
- **the battery is nearly empty (to protect against deep discharge)** --> a low battery level or flashing low battery level ⑥b is shown by the battery level indicator when pressing button; charge battery
- ! **do not continue to press the on/off switch after the tool is switched off automatically; battery may be damaged**

- Car socket connection ⑦
 - as alternative to a battery pack, the car socket can be used as power supply.
 - remove the car socket adapter from the storage compartment.
 - connect adapter to the car socket
- On/off ①
 - press button
 - LCD display will show pressure information
 - by pressing the function button you can switch between high pressure (default) and high volume function
 - press LED button to turn the work light on/off
 - press button again to turn off
 - ! **after approx. 5 minutes of inactivity the tool will automatically turn off**

HIGH PRESSURE FUNCTION

- Connecting the air hose ⑧
 - unlock the air chuck clamp
 - place the air chuck on valve stem
 - ! **for Presta and Dunlop valves screw the adapter on the valve stem before placing the air chuck.**
 - push the air chuck down so that the threaded section of the valve stem is inside the air chuck
 - lock the air chuck clamp
- Removing/installing adapters ⑨
 - unlock the air chuck clamp
 - push the adapter into the air chuck until it stops
 - lock the air chuck clamp
- Set target pressure ⑩
 - ! **make sure that the high pressure function is selected** ⑩a
 - target pressure can be increased and decreased with + and - buttons to the desired value (between 0.2 and 11.0 bar)
 - to change the pressure unit press + and - buttons together
 - ! **to avoid over inflation, read the instruction provided with the items to be inflated and never exceed recommended pressures**

- Inflating
 - to start inflating, press start/pause button
 - the actual pressure is shown
 - ! **when the actual pressure is higher than the target pressure, the tool will not start inflating**
 - to pause or stop inflating, press start/pause button again
 - the tool stops when the target pressure is reached
 - the tool stops when the target pressure is reached
 - ! **the actual pressure may drop after the tool has stopped; you may restart inflating until the target pressure is reached**
 - ! **the tool may stop without reaching the target pressure when a low target pressure is set (< 2 bar); you may restart inflating until the target pressure is reached**
 - ! **allow the tool to cool down for 5 minutes after each 15 minutes of continuous use**

HIGH VOLUME FUNCTION

- Inflating
 - connect the high volume air hose to the air outlet ⑪
 - connect the other end of the hose to the item to be inflated directly or with the tapered adapter
 - ! **make sure that the high volume function is selected ⑩b**
 - to start inflating, press button
 - to pause or stop inflating, press button again
 - ! **the tool does not stop automatically when high volume function is chosen**
 - ! **allow the tool to cool down for 5 minutes after each 15 minutes of continuous use**
- Deflating
 - for deflating, follow the instruction above, but connect the high volume air hose to the air intake ⑫

MAINTENANCE

- This tool is not intended for professional use
- Always keep tool clean (especially ventilation slots)
 - ! **remove battery from tool before cleaning**

ENVIRONMENT

- **Do not dispose of electric tools, batteries, accessories and packaging together with household waste material. The electric tools, accessories and packaging should be sorted for environmental-friendly recycling**
 - ! **prior to disposal protect battery terminals with heavy tape to prevent short-circuit**

WARRANTY

SKIL WARRANTY POLICY

For all SKIL warranty & enquiries, please contact 1300 01 SKIL (1300 01 7545) Monday to Friday 9:00am to 5:00pm EST

Chervon Australia Pty Ltd ABN 36 165 077 501 ("Chervon") warrants to the original domestic purchaser that this product will be free from defects in materials and workmanship for 5 years from date of purchase, and any battery or charger will be free from defects in materials and workmanship for 3 years from date of purchase. Consumables will be covered by a 3-month warranty and a complete list can be found inside the manual.

Notwithstanding the foregoing, if a SKIL consumer Power Tool is used for industrial, professional or commercial purposes, the foregoing warranty will apply for a duration of ninety days from the date of purchase. This ninety-day commercial warranty pertains to the SKIL Power Tool range only.

This SKIL product warranty is only applicable to purchases from authorised SKIL retailers. This warranty will not apply to SKIL products that are purchased from Amazon, eBay and any other non-authorised online retailer. This SKIL product warranty does not apply to any parallel imported product and does not apply to any SKIL products that are not purchased from an authorised SKIL retailer. To make a claim, return the faulty item together with proof of purchase directly to your closest service agent or to the place of purchase. Any handling and transportation costs (and other expenses incurred in claiming this warranty) are not covered by this warranty and will not be borne by Chervon. The replacement product or part or repaired product will be made available for your collection at an address nominated by Chervon. Where a valid warranty claim is made, Chervon will replace the defective product or repair the fault. Where the product is repaired, Chervon may use refurbished parts. This warranty does not cover normal wear and tear, misuse or abuse. This warranty may also be further limited or voided as specifically detailed in the product manual. Chervon has no other liability under this warranty. The benefits to you given by this warranty are in addition to other rights and remedies imposed by State and Federal legislation that cannot be excluded. Our goods come with guarantees that cannot be excluded under the Australian Consumer Law. You are entitled to a replacement or refund for a major failure and compensation for any other reasonably foreseeable loss or damage. You are also entitled to have the goods repaired or replaced if the goods fail to be of acceptable quality and the failure does not amount to a major failure. Chervon Australia Pty Ltd, Unit 14, 5 Kelletts Road, Rowville, VIC. 3178.
Ph; 1300 01 SKIL (1300 01 7545).
Email: support@skil.com.au

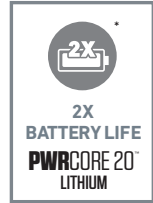
The following accessories and consumables have a 3-month warranty period:

Chucks	Allen keys
Brushes	Angle grinder flanges
Collets	Dust canisters

*



Industry leading battery technology wraps each cell with cooling material to keep the battery powering on for 25% longer run time compare to general battery technology.



SKIL's patented technology extends the battery life 2X longer compare to general battery technology.

