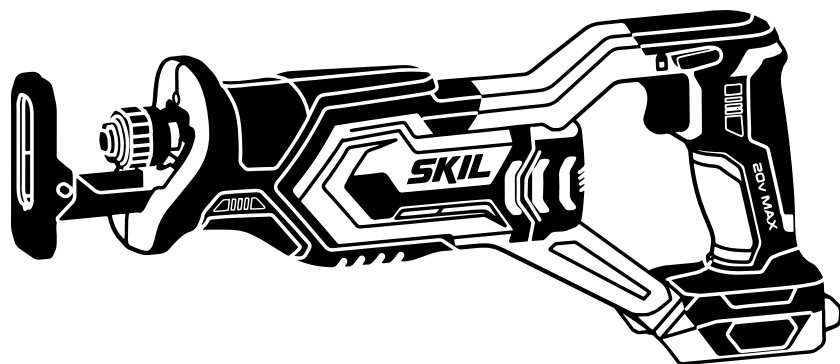


SKIL®



Model: RS582901E

PWRCORE 20™

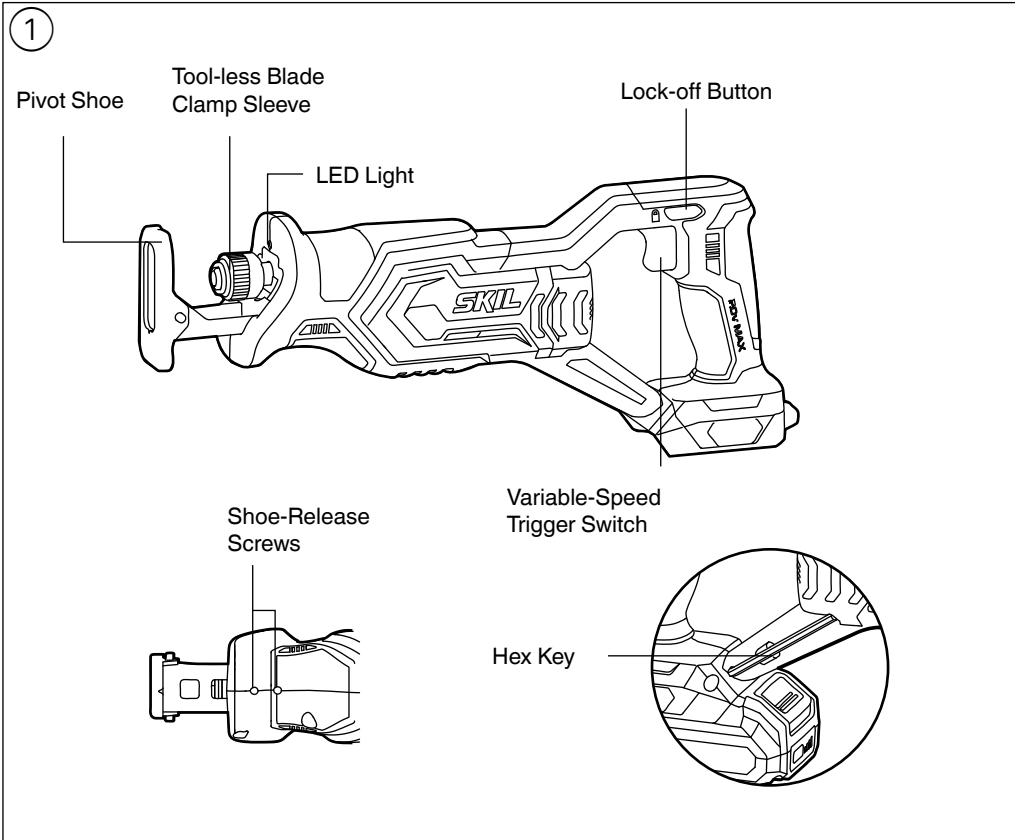
Cordless Reciprocating Saw

⚠ WARNING: To reduce the risk of injury, the user must read and understand the Owner's Manual before using this product. Save these instructions for future reference.



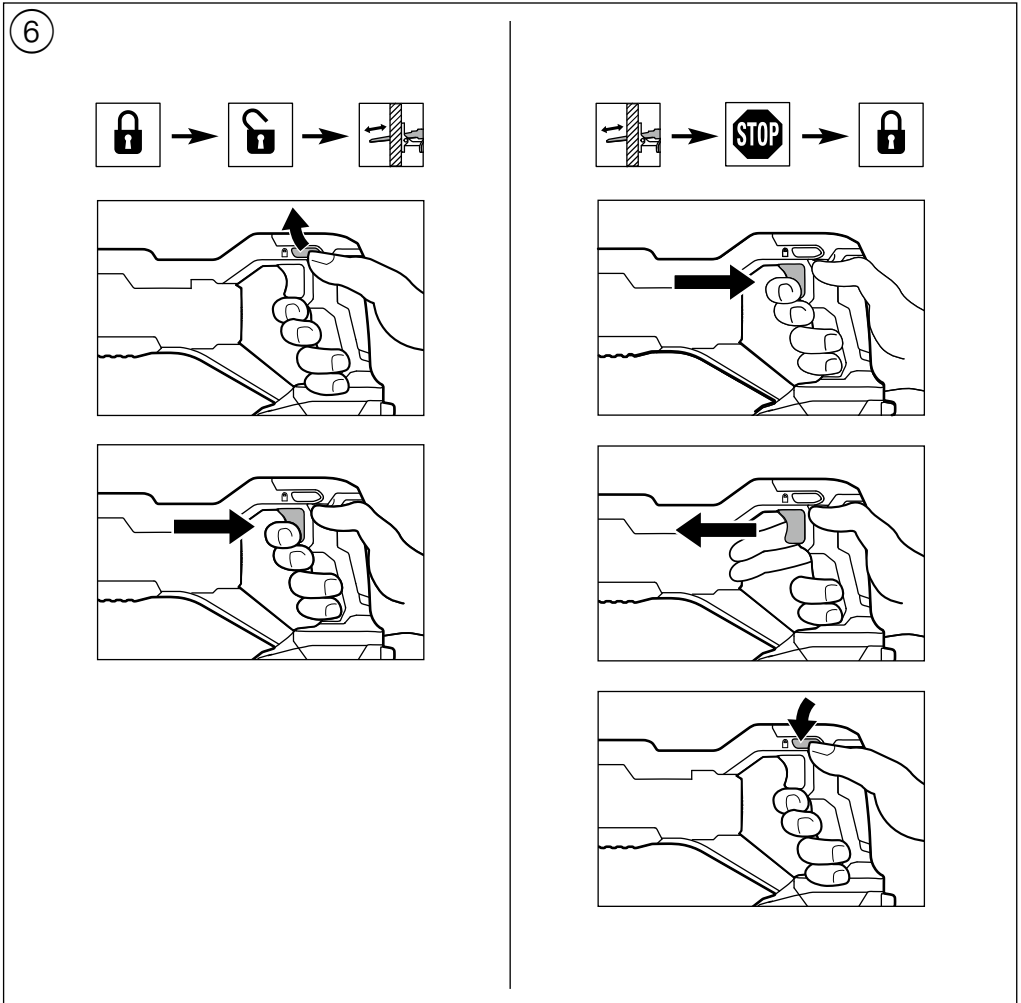
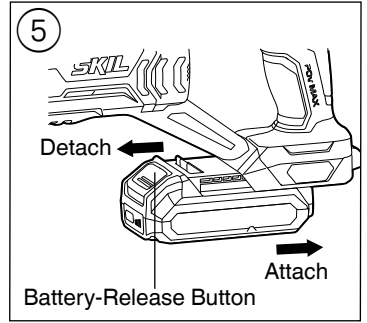
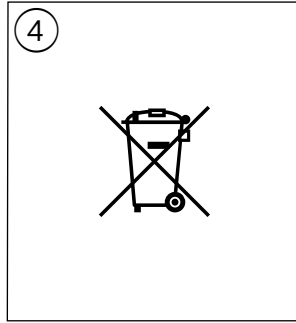
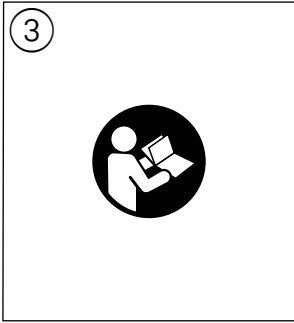
For Customer Service

1300-017-545 OR **www.skil.com.au**

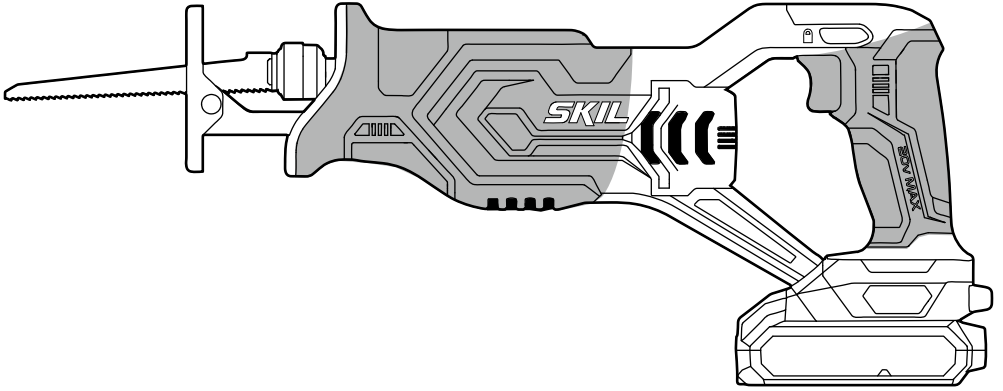


② **SPECIFICATIONS**

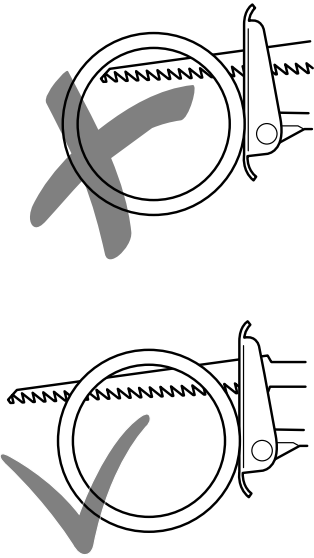
Rated Voltage	18V d.c. (20V max)
Stroke	25mm
No-load Speed	0-3000 /min
Sawing capacity in wood	120mm
Sawing capacity in aluminum	24mm
Sawing capacity in metal	20mm



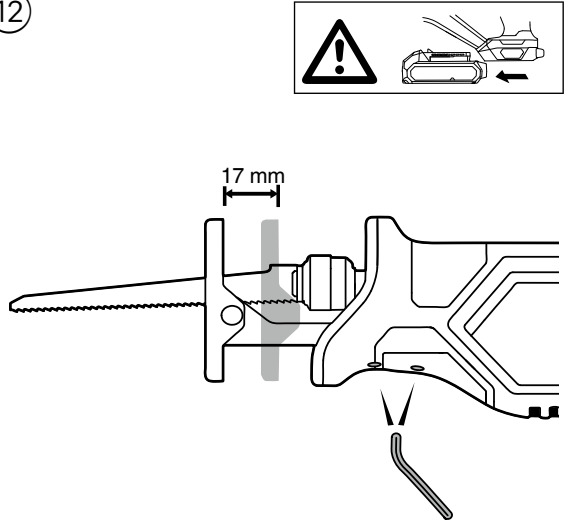
10



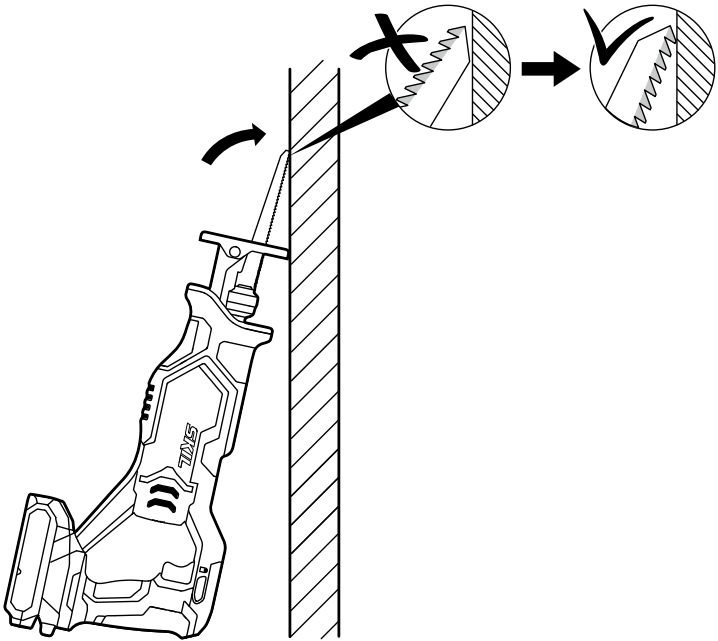
11



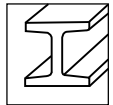
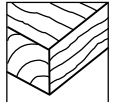
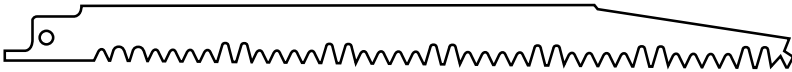
12



13



14



INTRODUCTION

- This tool is intended for cutting of wood, plastic, metal and building materials as well as for pruning and tree trimming; it is suitable for straight and curved cuts
- This tool is not intended for professional use
- Read and save this instruction manual ③

SAFETY

GENERAL POWER TOOL SAFETY WARNINGS

⚠ WARNING Read all safety warnings, instructions, illustrations and specifications provided with this power tool. Failure to follow all instructions listed below may result in electric shock, fire and/or serious injury.

Save all warnings and instructions for future reference.

The term "power tool" in the warnings refers to your mains-operated (corded) power tool or battery-operated (cordless) power tool.

1) WORK AREA SAFETY

- a) **Keep work area clean and well lit.** Cluttered or dark areas invite accidents.
- b) **Do not operate power tools in explosive atmospheres, such as in the presence of flammable liquids, gases or dust.** Power tools create sparks which may ignite the dust or fumes.
- c) **Keep children and bystanders away while operating a power tool.** Distractions can cause you to lose control.

2) ELECTRICAL SAFETY

- a) **Power tool plugs must match the outlet. Never modify the plug in any way. Do not use any adapter plugs with earthed (grounded) power tools.** Unmodified plugs and matching outlets will reduce risk of electric shock.
- b) **Avoid body contact with earthed or grounded surfaces such as pipes, radiators, ranges and refrigerators.** There is an increased risk of electric shock if your body is earthed or grounded.
- c) **Do not expose power tools to rain or wet conditions.** Water entering a power tool will increase the risk of electric shock.
- d) **Do not abuse the cord. Never use the cord for carrying, pulling or unplugging the power tool. Keep cord away from heat, oil, sharp edges or moving parts.** Damaged or entangled cords increase the risk of electric shock.
- e) **When operating a power tool outdoors, use an extension cord suitable for outdoor use.** Use of a cord suitable for outdoor use reduces the risk of electric shock.
- f) **If operating a power tool in a damp location is unavoidable, use a residual current device (RCD) protected supply.** Use of an RCD reduces the risk of electric shock.

3) PERSONAL SAFETY

- a) **Stay alert, watch what you are doing and use common sense when operating a power tool. Do not use a power tool while you are tired or under the influence of drugs, alcohol or medication.** A moment of inattention while operating power tools may result in

serious personal injury.

- b) **Use personal protective equipment. Always wear eye protection.** Protective equipment such as a dust mask, non-skid safety shoes, hard hat, or hearing protection used for appropriate conditions will reduce personal injuries.
 - c) **Prevent unintentional starting. Ensure the switch is in the off-position before connecting to power source and/or battery pack, picking up or carrying the tool.** Carrying power tools with your finger on the switch or energising power tools that have the switch on invites accidents.
 - d) **Remove any adjusting key or wrench before turning the power tool on.** A wrench or a key left attached to a rotating part of the power tool may result in personal injury.
 - e) **Do not overreach. Keep proper footing and balance at all times.** This enables better control of the power tool in unexpected situations.
 - f) **Dress properly. Do not wear loose clothing or jewellery. Keep your hair and clothing away from moving parts.** Loose clothes, jewellery or long hair can be caught in moving parts.
 - g) **If devices are provided for the connection of dust extraction and collection facilities, ensure these are connected and properly used.** Use of dust collection can reduce dust-related hazards.
 - h) **Do not let familiarity gained from frequent use of tools allow you to become complacent and ignore tool safety principles.** A careless action can cause severe injury within a fraction of a second.
- ### 4) POWER TOOL USE AND CARE
- a) **Do not force the power tool. Use the correct power tool for your application.** The correct power tool will do the job better and safer at the rate for which it was designed.
 - b) **Do not use the power tool if the switch does not turn it on and off.** Any power tool that cannot be controlled with the switch is dangerous and must be repaired.
 - c) **Disconnect the plug from the power source and/or remove the battery pack, if detachable, from the power tool before making any adjustments, changing accessories, or storing power tools.** Such preventive safety measures reduce the risk of starting the power tool accidentally.
 - d) **Store idle power tools out of the reach of children and do not allow persons unfamiliar with the power tool or these instructions to operate the power tool.** Power tools are dangerous in the hands of untrained users.
 - e) **Maintain power tools and accessories. Check for misalignment or binding of moving parts, breakage of parts and any other condition that may affect the power tool's operation. If damaged, have the power tool repaired before use.** Many accidents are caused by poorly maintained power tools.
 - f) **Keep cutting tools sharp and clean.** Properly maintained cutting tools with sharp cutting edges are less likely to bind and are easier to control.
 - g) **Use the power tool, accessories and tool bits etc., in accordance with these instructions, taking into account the working conditions and the work to be performed.** Use of the power tool for operations different

from those intended could result in a hazardous situation.

- h) **Keep handles and grasping surfaces dry, clean and free from oil and grease.** Slippery handles and grasping surfaces do not allow for safe handling and control of the tool in unexpected situations.
- 5) **BATTERY TOOL USE AND CARE**
 - a) **Recharge only with the charger specified by the manufacturer.** A charger that is suitable for one type of battery pack may create a risk of fire when used with another battery pack.
 - b) **Use power tools only with specifically designated battery packs.** Use of any other battery packs may create a risk of injury and fire.
 - c) **When battery pack is not in use, keep it away from other metal objects like paper clips, coins, keys, nails, screws, or other small metal objects that can make a connection from one terminal to another.** Shorting the battery terminals together may cause burns or a fire.
 - d) **Under abusive conditions, liquid may be ejected from the battery; avoid contact. If contact accidentally occurs, flush with water. If liquid contacts eyes, additionally seek medical help.** Liquid ejected from the battery may cause irritation or burns.
 - e) **Do not use a battery pack or tool that is damaged or modified.** Damaged or modified batteries may exhibit unpredictable behaviour resulting in fire, explosion or risk of injury.
 - f) **Do not expose a battery pack or tool to fire or excessive temperature.** Exposure to fire or temperature above 130°C may cause explosion.
 - g) **Follow all charging instructions and do not charge the battery pack or tool outside the temperature range specified in the instructions.** Charging improperly or at temperatures outside the specified range may damage the battery and increase the risk of fire.
- 6) **SERVICE**
 - a) **Have your power tool serviced by a qualified repair person using only identical replacement parts.** This will ensure that the safety of the power tool is maintained.
 - b) **Never service damaged battery packs.** Service of battery packs should only be performed by the manufacturer or authorized service providers.

SAFETY INSTRUCTIONS FOR CORDLESS RECIPROCATING SAWS

- **Hold the power tool by insulated gripping surfaces, when performing an operation where the cutting accessory may contact hidden wiring** (cutting accessory contacting a "live" wire may make exposed metal parts of the power tool "live" and could give the operator an electric shock)
- **Use clamps or another practical way to secure and support the workpiece to a stable platform** (holding the workpiece by hand or against your body leaves it unstable and may lead to loss of control)

ACCESSORIES

- SKIL can assure flawless functioning of the tool only when original accessories are used
- Use only accessories with an allowable speed matching at least the highest no-load speed of the tool

BEFORE USE

- Avoid damage that can be caused by screws, nails and other elements in your workpiece; remove them before you start working
- **Use suitable detectors to find hidden utility lines or call the local utility company for assistance** (contact with electric lines can lead to fire or electrical shock; damaging a gas line can result in an explosion; penetrating a water pipe will cause property damage or an electrical shock)

PERSONAL SAFETY

- This tool should not be used by people under the age of 16 years
- **Do not work materials containing asbestos** (asbestos is considered carcinogenic)
- Dust from material such as paint containing lead, some wood species, minerals and metal may be harmful (contact with or inhalation of the dust may cause allergic reactions and/or respiratory diseases to the operator or bystanders); **wear a dust mask and work with a dust extraction device when connectable**
- Certain kinds of dust are classified as carcinogenic (such as oak and beech dust) especially in conjunction with additives for wood conditioning; **wear a dust mask and work with a dust extraction device when connectable**
- Follow the dust-related national requirements for the materials you want to work with
- **Keep hands away from cutting area and the blade; keep your second hand on barrel grip** (if both hands are holding the saw, they can not be cut by the blade)
- **Do not reach underneath the workpiece** (the proximity of the blade to your hand is hidden from your sight)
- **Never hold piece being cut in your hands or across your leg** (it is important to support the work properly to minimise body exposure, blade binding, or loss of control)
- **Do not use a dull or damaged blade** (bent blades can break easily or cause kickback)
- **Use protective gloves when removing the blade from the tool** (the saw blade may be hot after prolonged use)
- Wear protective glasses and hearing protection
- **Only use the following batteries and chargers with this tool**
 - SKIL battery: BY519703E BY519603E
 - SKIL charger: SC535801E QC536001E
- Do not use the battery when damaged; it should be replaced
- Do not disassemble the battery
- Do not expose tool/battery to rain
- Permitted ambient temperature (tool/charger/battery):
 - when charging 4...40°C
 - during operation -20...+50°C
 - during storage -20...+50°C

EXPLANATION OF SYMBOLS ON TOOL/BATTERY

- ③ Read the instruction manual before use
- ④ Do not dispose of electric tools and batteries together with household waste material

USE

- Charging battery
- ! **read the safety warnings and instructions provided with the charger**
- Removing/installing the battery ⑤

- Combined switch for on/off and speed control with locking knob ⑥ ⑦
 - first unlock by pressing knob
 - switch on the tool by pulling trigger
 - control the speed steplessly from zero to maximum by putting less or more pressure on the trigger
 - switch off by releasing trigger
- Locking knob can be activated ⑥
 - if activated, the on/off switch is blocked and the machine is secured against being switched on unintentionally
- LED-worklight
 - The LED worklight will automatically turn on with a slight squeeze on the trigger switch before the tool starts running, and will turn off 8 to 12 seconds after the trigger is released.
 - When the tool and/or battery pack becomes overloaded or too hot, the internal sensors will turn the tool off. If the tool and/or battery pack are overloaded, the LED worklight will rapidly flash. Rest the tool for a while or place the tool and battery pack separately under air flow to cool.
 - The LED worklight will flash more slowly to indicate that the battery pack is at low-battery capacity. Recharge the battery pack.
- Mounting saw blade ⑨
 - ! remove battery from tool before making any adjustments or changing accessories**
 - turn blade clamp in same direction as arrow on tool and hold it in that position
 - insert blade (with teeth facing down or up) to full depth
 - release blade clamp
 - push in and pull out blade to check whether it is locked correctly
- Removing saw blade ⑨
 - ! remove battery from tool before making any adjustments or changing accessories**
 - turn blade clamp in same direction as arrow on tool and hold it in that position
 - pull out blade
 - release blade clamp
- Operating the tool
 - ! securely clamp the workpiece**
 - mark the cutting line on the workpiece
 - mount battery on tool
 - hold the tool with one hand on handle and the other on the insulated barrel grip
 - switch on the tool
 - guide the tool along the marked cutting line
 - keep footplate firmly against the workpiece to minimize counter-force and vibration
- Battery protection

Switches off the tool or prevents the tool from being switched on, when

 - the load is too high
 - the battery temperature is not within the allowable operating temperature range of -20 to +50°C
 - the lithium-ion battery is nearly empty (to protect against deep discharge)

! do not continue to press the on/off switch after the tool is switched off automatically; battery may be damaged
- Holding and guiding the tool

- ! while working, always hold the tool at the grey-coloured grip area(s) ⑩**
- keep ventilation slots uncovered
- do not apply too much pressure on the tool; let the tool do the work for you
- ! ensure that the saw blade extends beyond the work throughout the stroke ⑪**
- Adjusting effective sawing depth ⑫
 - ! remove battery from tool before making any adjustments or changing accessories**
 - use hex key for loosening and fastening both fastening bolts
 - slide footplate forward/backwards in order to enlarge/reduce the effective sawing depth

APPLICATION ADVICE

- Plunge cutting ⑬
 - Plunge cuts can be made in wood and other soft materials without pre-drilling a hole
 - use a thick saw blade
 - ! remove battery from tool before making any adjustments or changing accessories**
 - mount the blade with the teeth facing upward
 - mark desired cutting line on the workpiece
 - tilt the tool so that the blade does not touch the workpiece
 - switch on the tool and carefully engage the moving saw blade into the workpiece
 - after the blade has penetrated through the workpiece continue sawing along the marked cutting line
 - ! do not make plunge cuts in metal materials**
- Use the appropriate saw blades ⑭
- When cutting metals, lubricate saw blade regularly with oil
- Splinter-free cutting
 - cover cutting-line with several layers of wide tape before cutting
 - always face the good side of the workpiece down

MAINTENANCE

- This tool is not intended for professional use
- Always keep tool clean (especially ventilation slots)
 - ! remove battery from tool before cleaning**

ENVIRONMENT

- **Do not dispose of electric tools, batteries, accessories and packaging together with household waste material** (only for EU countries)
 - in observance of European Directive 2012/19/EC on waste of electric and electronic equipment and its implementation in accordance with national law, electric tools that have reached the end of their life must be collected separately and returned to an environmentally compatible recycling facility
 - symbol ④ will remind you of this when the need for disposing occurs
- ! prior to disposal protect battery terminals with heavy tape to prevent short-circuit**

WARRANTY

SKIL WARRANTY POLICY

For all SKIL warranty & enquiries, please contact 1300 01 SKIL (1300 01 7545) Monday to Friday 9:00am to 5:00pm EST

Chervon Australia Pty Ltd ABN 36 165 077 501 (“Chervon”) warrants to the original domestic purchaser that this product will be free from defects in materials and workmanship for 5 years from date of purchase, and any battery or charger will be free from defects in materials and workmanship for 3 years from date of purchase. Please note SKIL products are intended for DIY (Do It Yourself) use only. Accessories & Consumables will be covered by a 3 month warranty and a complete list can be found inside the manual. To make a claim, return the faulty item together with proof of purchase directly to your closest service agent or to the place of purchase. Any handling and transportation costs (and other expenses incurred in claiming this warranty) are not covered by this warranty and will not be borne by Chervon. The replacement product or part or repaired product will be made available for your collection at an address nominated by Chervon. Where a valid warranty claim is made, Chervon will replace the defective product or repair the fault. Where the product is repaired, Chervon may use refurbished parts. This warranty does not cover normal wear and tear, misuse or abuse. This warranty may also be further limited or voided as specifically detailed in the product Manual. Chervon has no other liability under this warranty. The benefits to you given by this warranty are in addition to other rights and remedies imposed by State and Federal legislation that cannot be excluded. Our goods come with guarantees that cannot be excluded under the Australian Consumer Law. You are entitled to a replacement or refund for a major failure and compensation for any other reasonably foreseeable loss or damage. You are also entitled to have the goods repaired or replaced if the goods fail to be of acceptable quality and the failure does not amount to a major failure. Chervon Australia Pty Ltd, Unit 14, 5 Kelletts Road, Rowville, VIC. 3178. Ph: 1300 01 SKIL (1300 01 7545). Email: support@skil.com.au

The following accessories have a 3-month warranty period:

Brushes	Collets
O-rings, seals & bearings	Angle grinder flanges
Allen keys	Chucks

