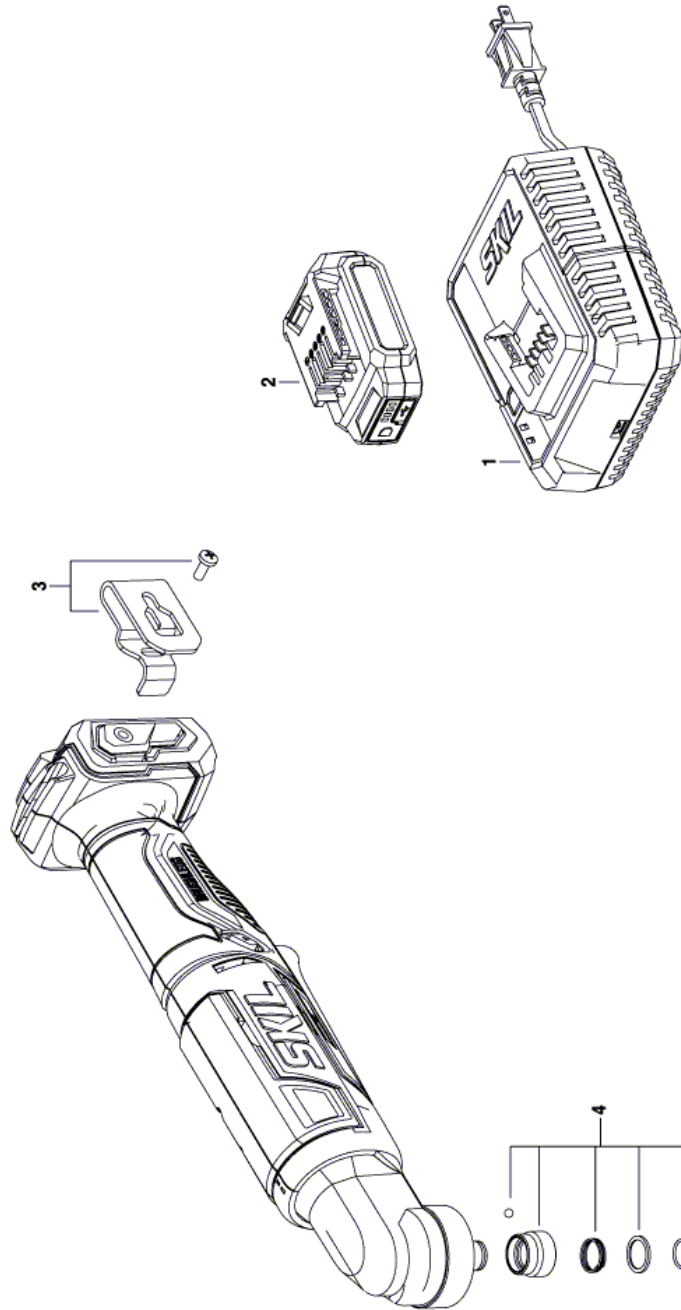


. - F 012 289 1GZ - RI574501

Item	Part Number	Description	Illustration	Price	Quantity	Price Group
1	1 609 735 505	Battery Charger	1	\$ 42.00	1	38
1	1 609 735 506	Battery Charger 1 hr	1	\$ 22.00	1	32
2	1 609 735 507	Battery 12V 2.0ah w/USB	1	\$ 42.00	1	38
2	1 609 735 508	Battery 12V 2.0ah	1	\$ 34.00	1	36
2	1 609 735 509	Battery 12V 4.0ah w/USB	1	\$ 59.00	1	41
3	1 609 735 524	Hook	1	\$ 1.70	1	13
4	1 609 735 528	Bit holder	1	\$ 2.94	1	16

Illustration - Type E



F012 289 1GZ
Issue } 19-05-16
Stand } **Fig./Abb. 1**

Modifications reserved
Änderungen vorbehalten
Modificaciones reservadas
Salvo modificaciones

Information subject to change without further notice.