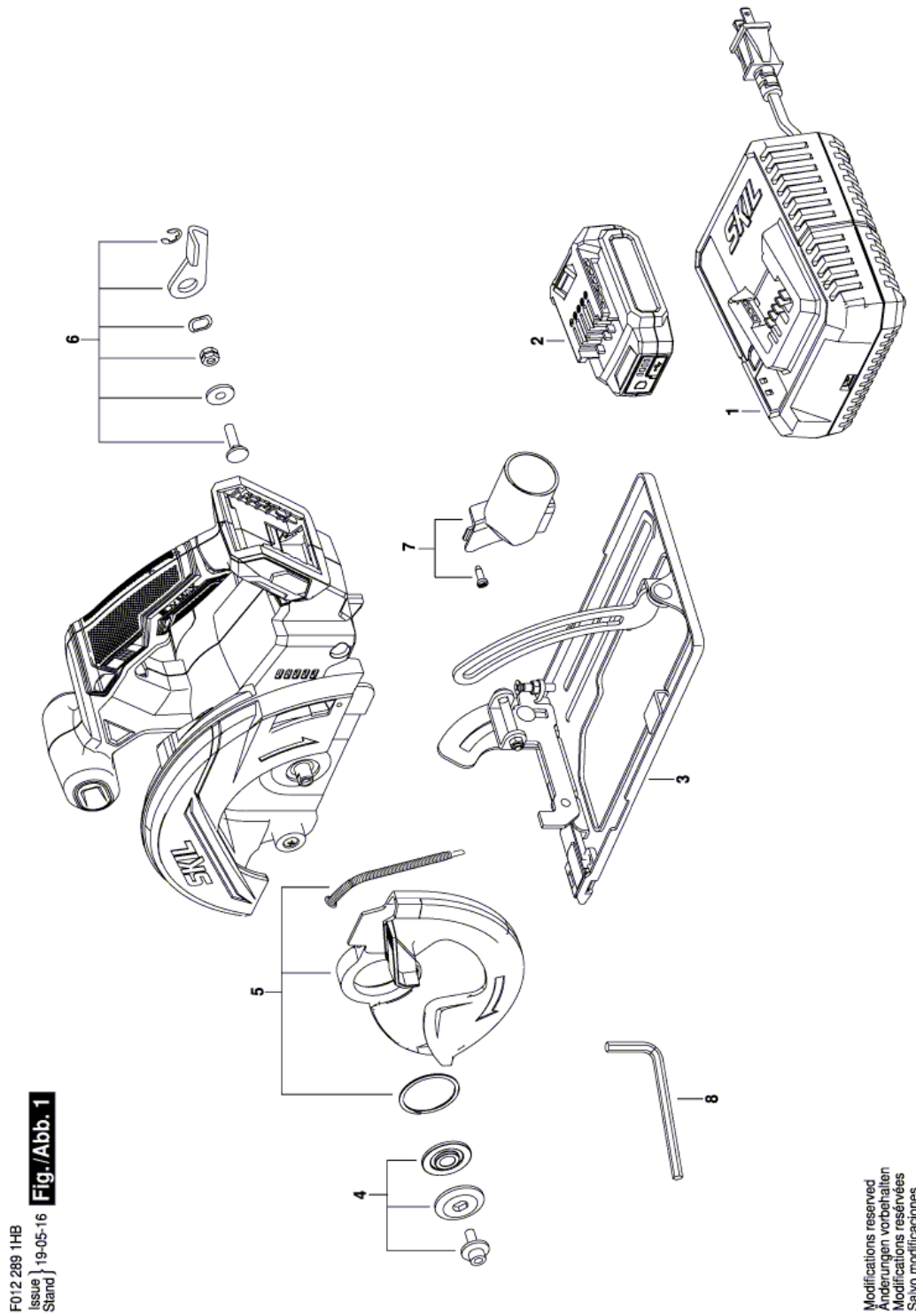


**. - F 012 289 1HB - CR541801**

Item	Part Number	Description	Illustration	Price	Quantity	Price Group
1	1 609 735 505	Battery Charger	1	\$ 42.00	1	38
1	1 609 735 506	Battery Charger 1 hr	1	\$ 22.00	1	32
2	1 609 735 507	Battery 12V 2.0ah w/USB	1	\$ 42.00	1	38
2	1 609 735 508	Battery 12V 2.0ah	1	\$ 34.00	1	36
2	1 609 735 509	Battery 12V 4.0ah w/USB	1	\$ 59.00	1	41
3	1 609 735 562	Base Plate	1	-,-	1	-
4	1 609 735 560	Flange Kit	1	-,-	1	-
5	1 609 735 561	Lower guard	1	-,-	1	-
6	1 609 735 563	Lever	1	-,-	1	-
7	1 609 735 522	Vacuum Adapter	1	\$ 2.94	1	16
8	1 609 735 535	Key	1	\$ 0.68	1	10

Illustration - Type E



Information subject to change without further notice.