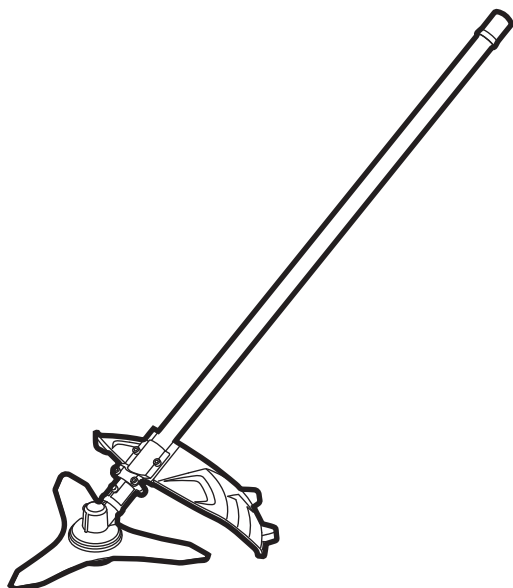




POWER⁺ BRUSHCUTTER ATTACHMENT



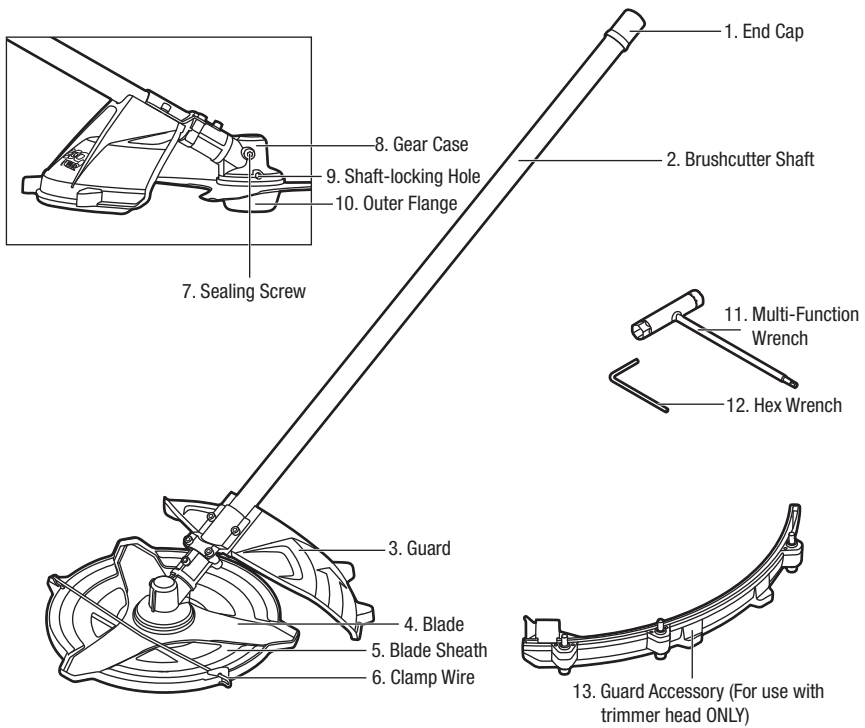
**FOR USE ONLY WITH THE 56V LITHIUM-ION
POWER HEAD PH1400E**

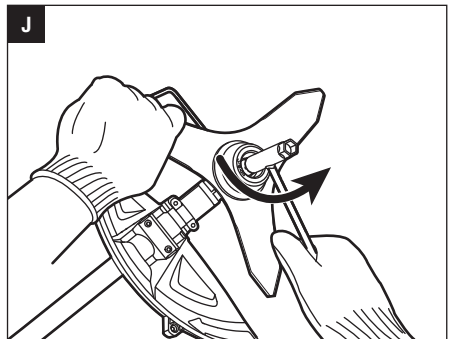
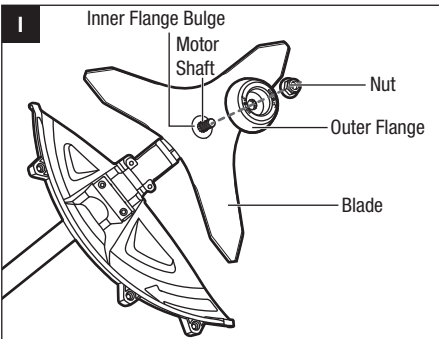
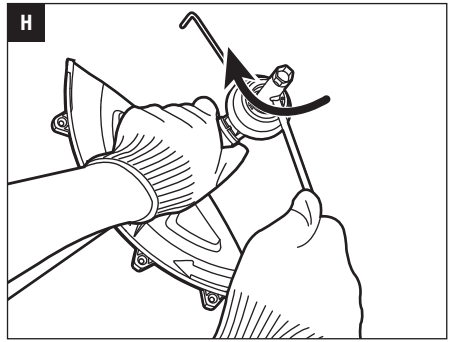
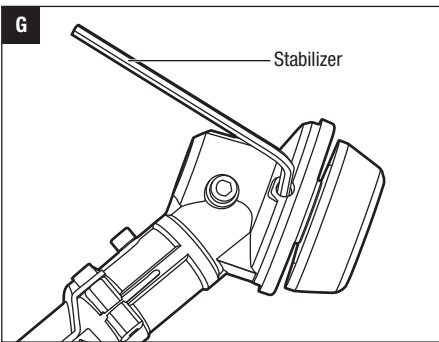
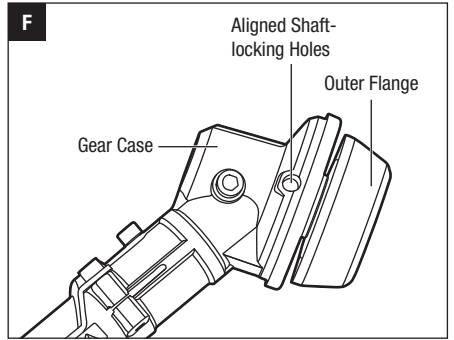
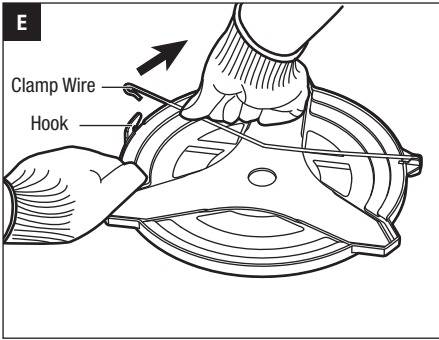
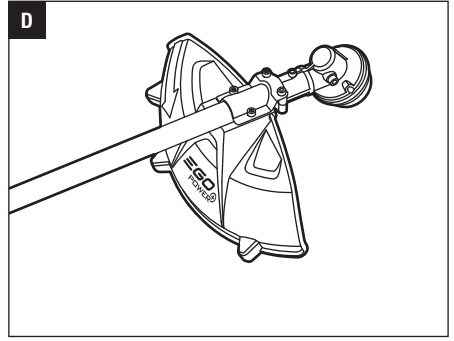
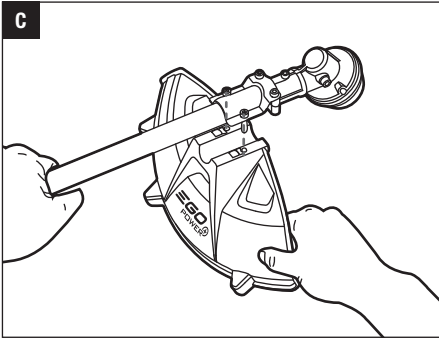
OPERATOR'S MANUAL

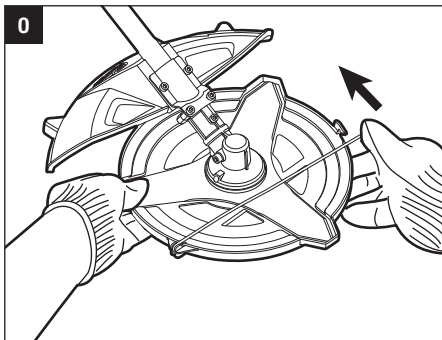
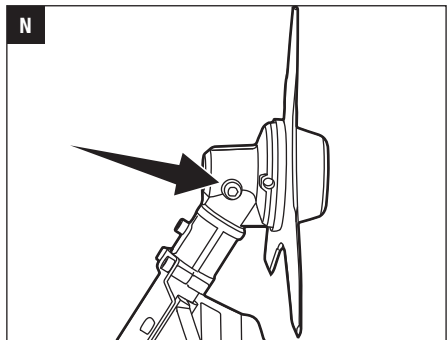
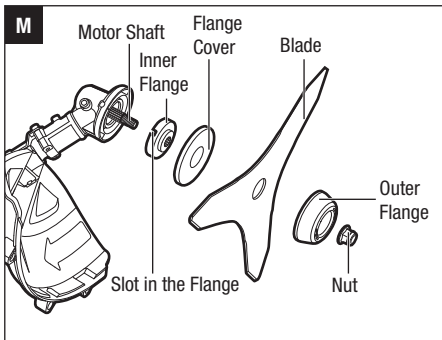
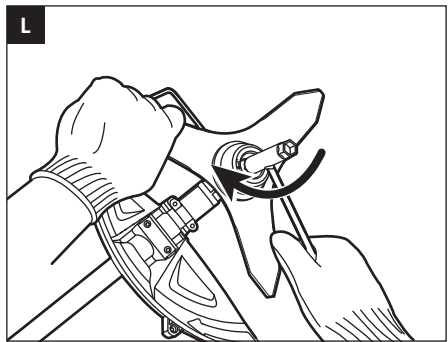
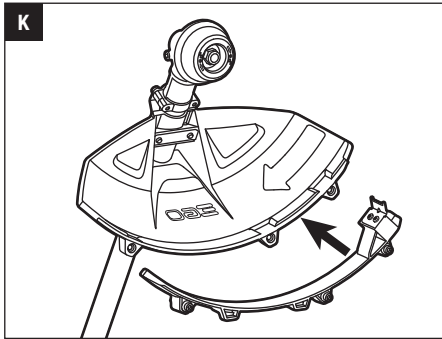
BRUSHCUTTER ATTACHMENT

MODEL NUMBER BCA1200

⚠ WARNING: To reduce the risk of injury, the user must read and understand the Operator's Manual before using this product. Save these instructions for future reference.

A**B**





READ ALL INSTRUCTIONS!



READ OPERATOR'S MANUAL

⚠ Residual risk! People with electronic devices, such as pacemakers, should consult their physician(s) before using this product. Operation of electrical equipment in close proximity to a heart pacemaker could cause interference or failure of the pacemaker.

⚠ WARNING: To ensure safety and reliability, all repairs and replacements should be performed by a qualified service technician.

SAFETY SYMBOLS

The purpose of safety symbols is to attract your attention to possible dangers. The safety symbols and the explanations with them deserve your careful attention and understanding. The symbol warnings do not, by themselves, eliminate any danger. The instructions and warnings they give are no substitutes for proper accident prevention measures.

⚠ WARNING: Be sure to read and understand all safety instructions in this Operator's Manual, including all safety alert symbols such as **"DANGER," "WARNING,"** and **"CAUTION"** before using this tool. Failure to follow all instructions listed below may result in electric shock, fire, and/or serious personal injury.

SYMBOL MEANING

⚠ SAFETY ALERT SYMBOL: Indicates **DANGER, WARNING, OR CAUTION.** May be used in conjunction with other symbols or pictographs.



⚠ WARNING: The operation of any power tools can result in foreign objects being thrown into your eyes, which can result in severe eye damage. Before beginning power tool operation, always wear safety goggles or safety glasses with side shields and a full face shield when needed. We recommend a Wide Vision Safety Mask for use over eyeglasses or standard safety glasses with side shields.

SAFETY INSTRUCTIONS

This page depicts and describes safety symbols that may appear on this product. Read, understand, and follow all instructions on the machine before attempting to assemble and operate it.

	Safety Alert	Indicates a potential personal injury hazard.
	Read Operator's Manual	To reduce the risk of injury, user must read and understand operator's manual before using this product.
	Wear Eye Protection	Always wear safety goggles or safety glasses with side shields and a full face shield when operating this product.
	Wear Ear Protection	Always wear sound barriers (ear plugs or ear muffs) to protect your hearing.
	Wear Head Protection	Wear an approved safety hard hat to protect your head.
	Wear Protective Gloves	Protect your hands with gloves when handling saw and saw chain. Heavy-duty, nonslip gloves improve your grip and protect your hands.
	Wear Safety Footwear	Wear non-slip safety footwear when using this equipment.
	Beware of blade thrust	Warn the operator of the danger of blade thrust.
	Ricochet	Thrown objects can ricochet and result in personal injury or property damage.
	Keep Bystanders Away	Ensure that other people and pets remain at least 15m away from the brush-cutter when it is in use.
	No round blade	Do not install round cutting blades.
	Noise	Sound pressure level

IPX4	Ingress Protection Degree	Protection from splashing water
V	Volt	Voltage
mm	Millimeter	Length or size
cm	Centimeter	Length or size
in.	Inch	Length or size
kg	Kilogram	Weight

IMPORTANT SAFETY INSTRUCTIONS

⚠ WARNING! When using electric brushcutters, basic safety precautions should always be followed to reduce the risk of fire, electric shock, and personal injury, including the following:

READ CAREFULLY BEFORE USE

KEEP FOR FUTURE REFERENCE

⚠ DANGER! Do not rely on the tool's insulation against electric shock. To reduce the risk of electrocution, never operate the machine in the vicinity of any wires or cables (power, etc.) which may carry electric current.

⚠ CAUTION! Wear appropriate personal hearing protection during use. Under some conditions and durations of use, noise from this product may contribute to hearing loss.

Training

- Read the instructions carefully. Be familiar with the controls and the proper use of the machine.
- Never allow people unfamiliar with these instructions or children to use the machine. Local regulations can restrict the age of the operator.
- Keep in mind that the operator or user is responsible for accidents or hazards occurring to other people or their property.

Preparation

- Never operate the machine while people, especially children, or pets are nearby.
- Wear eye protection and stout shoes at all times while operating the machine.
- The distance between the machine and bystanders shall be at least 15m.

Operation

- Use the machine only in daylight or good artificial light.
- Never operate the machine with damaged guards or shields or without guards or shields in place.
- Switch on the motor only when the hands and feet are away from the cutting means.
- Always disconnect the machine from the power supply (i.e. remove the battery pack).
 - whenever leaving the machine unattended;
 - before clearing a blockage;
 - before checking, cleaning or working on the machine;
 - after striking a foreign object;
 - whenever the machine starts vibrating abnormally.
- Take care against injury to feet and hands from the cutting means.
- Always ensure that the ventilation openings are kept clear of debris.

Maintenance and storage

- Disconnect the machine from the power supply (i.e. remove the battery pack), before carrying out maintenance or cleaning work.
- Use only the manufacturer's recommended replacement parts and accessories.
- Inspect and maintain the machine regularly. Have the machine repaired only by an authorised repairer.
- When not in use, store the machine out of the reach of children.

Other safety warnings

- **Keep Children Away** - All visitors should be kept at least 15m away from work area.
- **Avoid Dangerous Environments** – Don't use appliances on damp or wet slope.
- **Always turn the brushcutter and or remove the battery pack whenever leaving the tool unattended.**
- **Don't Use In Rain.**
- **Dress Properly** - Do not wear loose clothing, jewelry, short pants, sandals, or go barefoot. They can be caught in moving parts. Always wear heavy, long pants and a long-sleeve shirt. Use of rubber gloves and substantial footwear is recommended when working outdoors. Wear protective hair covering to contain long hair to secure hair above shoulder level.
- **Use Safety Glasses** - Always use safety glasses while operating the machine.

- **Use the Right Tool** - Do not use the tool for any job except that for which it is intended.
- **Don't Force the Brushcutter** - It will do the job better and with less likelihood of a risk of injury at the rate for which it was designed.
- **Stay Alert** - Watch what you are doing. Use common sense. Do not operate the brushcutter when you are tired.
- **Do not operate the brushcutter while under the influence of alcohol or drugs.**
- **Keep guards in place and in working order.**
- **Keep hands and feet away from the cutting area.**
- **Store Brushcutter Indoors** - When not in use the brushcutter should be stored indoors in a dry and high or locked-up place with the battery pack removed- out of reach of children.
- **Maintain Brushcutter with Care** - Keep the cutting attachment clean for best performance and to reduce the risk of injury. Follow the instructions for changing accessories. Keep the handles dry, clean, and free from oil and grease.
- **Check Damaged Parts** - Before further use of the brushcutter, a guard or other part that is damaged should be carefully checked to determine that it will operate properly and perform its intended function. Check for alignment of moving parts, binding of moving parts, breakage of parts, mounting, and any other condition that may affect its operation. A guard or other part that is damaged should be properly repaired or replaced by an authorised service center unless indicated elsewhere in this manual.
- **Make sure all fasteners are in place and secure. Be sure the cutting attachment shield is properly attached and in the position recommended by the manufacturer.**
- **Clear the area to be cut before each use.** Remove all objects such as rocks, broken glass, nails, wire, or string, which can be thrown or become entangled in the cutting attachment. Clear the area of children, bystanders and pets. At a minimum, keep all children, bystanders and pets outside a 15 m (50 ft) radius; outside the 15 m (50 ft) zone, there is still a risk of injury from thrown objects. Bystanders should be encouraged to wear eye protection.
- **Always hold the brushcutter firmly, with both hands on the handles, while operating. Wrap your fingers and thumbs around the handles.**
- **Avoid Accidentally Starting** - Don't carry the brushcutter with your finger on the trigger.
- **Do not operate the brushcutter in gaseous or explosive atmospheres.** Motors in these appliances normally spark, and the sparks might ignite fumes.
- **Damage to Brushcutter** - If you strike a foreign object with the brushcutter or it becomes entangled, stop the tool immediately, check for damage and have any damage repaired before further operation is attempted. Do not operate with a broken guard or blade.
- **If the equipment should start to vibrate abnormally, stop the motor and check immediately for the cause.** Vibration is generally a warning of trouble. A loose blade may vibrate, crack, break or come off the brushcutter, which may result in serious or fatal injury. Make sure that the cutting attachment is properly installed and securely fastened. If the blade loosens after fixing it in position, replace it immediately. Never use a brushcutter with a loose cutting attachment.
- **To reduce the risk of injury from loss of control, never work on a ladder or on any other insecure support. Never hold the cutting attachment above waist height.**
- **Keep firm footing and balance.** Do not over-reach. Keep cutting attachment below waist level. Keep all parts of your body away from the rotating cutting attachment.
- Replace a cracked, damaged or worn-out blade immediately, even if damage is limited to superficial cracks. Such attachments may shatter at high speed and cause serious or fatal injury.
- Check the cutting attachment at regular short intervals during operation, or immediately if there is a noticeable change in cutting behavior.
- **If you are approached, stop the motor and cutting attachment. In the case of bladed units, there is the added risk of injury to bystanders from being struck with the moving blade in the event of a blade thrust or other unexpected reaction of the blade.**
- **Warn the operator of the danger of blade thrust.**
 - Blade thrust may occur when the spinning blade contacts an object that it does not immediately cut.
 - Blade thrust can be violent enough to cause the unit and/or operator to be propelled in any direction, and possibly lose control of the unit.
 - Blade thrust can occur without warning if the blade snags, stalls or binds.
 - Blade thrust is more likely to occur in areas where it is difficult to see the material being cut.

- Do not attach any blade to a unit without proper installation of all required parts. Failure to use the proper parts can cause the blade to fly off and seriously injure the operator and/or bystanders. Discard blades that are bent, warped, cracked, broken, or damaged in any way. Use a sharp blade. A dull blade is more likely to snag and thrust.
- A coasting blade can cause injury while it continues to spin after the motor is stopped or trigger is released. Maintain proper control until the blade has completely stopped rotating.
- Do not charge the battery pack in rain, or in wet locations.
- Use only with the battery packs and chargers listed below:

BATTERY PACK	CHARGER
BA1120E, BA2240E, BA1400, BA2800	CH2100E, CH5500E

- The battery pack must be removed from the appliance before it is scrapped.
- Do not dispose of the battery in a fire. The cells may explode. Check with local codes for possible special disposal instructions.
- Do not open or mutilate the battery. Released electrolyte is corrosive and may cause damage to the eyes or skin. It may be toxic if swallowed.
- Exercise care in handling batteries in order not to short the battery with conducting materials such as rings, bracelets, and keys. The battery or conductor may overheat and cause burns.
- Replacement Parts - When servicing, use only identical EGO replacement parts. Use of any other accessory or attachment may increase the risk of injury.
- Battery tools do not have to be plugged into an electrical outlet; therefore, they are always in operating condition. Be aware of possible hazards even when the tool is not operating. Take care when performing maintenance or service.
- Remove or disconnect battery pack before servicing, cleaning or removing material from the brushcutter.
- Do not wash with a hose; avoid getting water in motor and electrical connections.
- If situations occur that are not covered in this manual, use care and good judgment. Contact the EGO Customer Service Center for assistance.
- Save these instructions. Refer to them frequently and use them to instruct others who may use this tool. If you lend this tool to someone else, also lend these instructions to them to prevent misuse of the product and possible injury.

NOTE: SEE YOUR POWER HEAD OPERATOR'S MANUAL FOR ADDITIONAL SPECIFIC SAFETY RULES.

SPECIFICATIONS

Cutting Width	30 cm
No-Load Speed	5000/6000 min ⁻¹
Weight	1.82 kg
Sound pressure level	68 dB(A)

PACKING LIST

PART NAME	QUANTITY
Brushcutter Attachment	1
Blade and Blade Sheath Set	1
Guard	1
Guard Accessory (For use with trimmer head ONLY)	1
Hex Wrench	1
Multi-Function Wrench	1
Operator's Manual	1

Recommended Blade

PART NAME	MODEL NUMBER
Brushcutter Blade	ABB1203

DESCRIPTION

KNOW YOUR Brushcutter ATTACHMENT (Fig. A)

1. End Cap
2. Brushcutter Shaft
3. Guard
4. Blade
5. Blade Sheath
6. Clamp Wire
7. Sealing Screw
8. Gear Case
9. Shaft-locking Hole
10. Outer Flange
11. Multi-Function Wrench
12. Hex Wrench
13. Guard Accessory (For use with trimmer head ONLY)

⚠ WARNING: Never operate the tool without the guard firmly in place. The guard must always be on the tool to protect the user.

⚠ WARNING: When the tool is used as a line trimmer, equipped with a trimmer head, the guard accessory should be mounted onto the guard. Failure to comply could result in an overly long cutting line and motor overload.

ASSEMBLY

⚠ WARNING: If any parts are damaged or missing, do not operate this product until the parts are replaced. Use of this product with damaged or missing parts could result in serious personal injury.

⚠ WARNING: Do not attempt to modify this product or create accessories not recommended for use with this brushcutter. Any such alteration or modification is misuse and could result in a hazardous condition leading to possibly serious personal injury.

⚠ WARNING: Always wear heavy gloves when installing or removing the blade or the guard or doing any maintenance on the blade. Be careful of the blade and protect your hands from being injured by the blade.

⚠ WARNING: Do not connect to power head until assembly is complete. Failure to comply could result in accidental starting and possible serious personal injury.

NOTICE: The correct assembly sequence of the brushcutter attachment is mounting the guard first, and then the blade, and finally attaching to the power head.

⚠ WARNING: Never operate the tool without the guard and the front-assist handle with barrier bar firmly in place. Failure to comply could result in possible serious personal injury.

MOUNTING THE GUARD

1. Lift the brushcutter head and face it downward; align the two mounting holes in the guard with the two bolts that are preassembled on the fixing board. Make sure that the internal surface of the guard faces towards the brushcutter head (Fig. C).
2. Lock the guard in place with the bolts and the supplied hex wrench (Fig. D).

MOUNTING THE BLADE

1. The blade is shipped with a sheath. Before mounting the blade onto the brushcutter, the sheath should be removed by undoing the clamp wire from the hook on the sheath (Fig. E).
2. Rotate the outer flange to align the slot in the inner flange with the shaft-locking hole in the gear case (Fig. F).
3. Insert the hex wrench provided into the aligned holes to act as a stabiliser (Fig. G).
4. Position the brushcutter head against a solid surface for support. With one hand grasping the brushcutter shaft and use the other hand to grasp the multi-function wrench provided to loosen the nut in the direction of the arrow marked on the outer flange and remove the nut and the outer flange. Save them for reassembly (Fig. H).
5. Mount the blade onto the motor shaft, ensuring that the surface of the blade is flush with the surface of the inner flange bulge. Go on mounting the outer flange and the nut (Fig. I). Pre-tighten the nut in **COUNTERCLOCKWISE** direction by hand.
6. Rotate the outer flange to align the slot in the inner flange with the shaft-locking hole in the gear case and insert the hex wrench provided into the aligned holes to act as a stabiliser as previous step 2 & 3 shown.
7. Position the brushcutter head against a solid surface for support. With one hand grasping the blade and use the other hand to grasp the multi-function wrench provided to tighten the nut opposite the direction of the arrow marked on the outer flange (Fig. J).

Use of Guard Accessory

NOTICE: When the tool is used as a line trimmer equipped with a trimmer head, the guard accessory must be mounted onto the guard (Fig. K).

Secure the guard accessory onto the guard by tightening the three screws with the hex wrench provided. Failure to comply could result in an overly long cutting line and motor overload.

CONNECTING THE Brushcutter ATTACHMENT TO THE POWER HEAD

This brushcutter attachment is designed for use with EGO Power Head PH1400E.

See “**INSTALLING AN ATTACHMENT TO THE POWER HEAD**” section in the power head PH1400E operator’s manual.

OPERATION

⚠ WARNING: Do not allow familiarity with this product to make you careless. Remember that a careless fraction of a second is sufficient to inflict serious injury.

⚠ WARNING: Always wear eye protection, along with hearing protection. Failure to do so could result in objects being thrown into your eyes and other possible serious injuries.

APPLICATIONS

You may use this product for the purpose listed below:

- Cutting matted grass, weeds, wild growth and scrub, thinning young stands with a maximum stem diameter of 2cm.

NOTICE: The tool is to be used only for its prescribed purpose. Any other use is deemed to be a case of misuse.

USING THE Brushcutter WITH POWER HEAD

⚠ WARNING: Dress properly to reduce the risk of injury when operating this tool. Do not wear loose clothing or jewelry. Wear eye and ear/hearing protection. Wear heavy, long pants, boots and gloves. Do not wear short pants or sandals or go barefoot.

For safe and better operation, put on the shoulder strap across the shoulder. Adjust the shoulder strap in a comfortable operating position. Hold the brushcutter with one hand on the rear handle and the other hand on the front-assist handle. Keep a firm grip with both hands while in operation. The brushcutter should be held at a comfortable position with the rear handle about hip height. Maintain your grip and balance on both feet. Position yourself so that you will not be drawn off balance by the kickback reaction of the cutting blade (Fig. B).

⚠ WARNING: The shoulder strap is also a quick release mechanism in hazardous situation. When emergency occurs, take it off from your shoulder immediately, no matter what way the strap is in.

To cut wild growth and scrub, lower the rotating blade down onto the growth to achieve a chopping effect. Use the brushcutter like a scythe (sweep it to the right and left) at ground level. Do not use the cutting attachment above waist height.

⚠ WARNING: The higher the cutting attachment is off the ground, the greater the risk of injury from cuttings being thrown sideways.

⚠ WARNING: When cutting young trees or other woody materials up to 2cm in diameter, use the left side of the blade to avoid blade thrust situations. Do not attempt to cut woody material with a larger diameter, since the blade may catch or jerk the brushcutter forward. This may cause damage to the blade or the brushcutter or loss of control of the brushcutter, resulting personal injury.

⚠ WARNING: Improper use of a brushcutter blade may cause it to crack, chip, or shatter.

Thrown parts may seriously injure the operator or bystander. To reduce the risk of personal injury, it is essential to take the following precautions:

- Avoid contact with hard or solid foreign objects such as stones, rocks or pieces of metal.
- Never cut wood or shrubs with a stem diameter of more than 2cm.
- Inspect the blade at a regular short intervals for signs of damage. Do not continue working with a damaged blade.
- Resharpener the blade regularly (when it has dulled noticeably) and have it balanced if necessary (performed by a qualified service technician).

BLADE THRUST

Exercise extreme caution when using the blade with this unit. Blade thrust is the reaction that may occur when the spinning blade contacts anything it cannot cut. This contact may cause the blade to stop for an instant and suddenly “thrust” the unit away from the object that was hit. This reaction can be violent enough to cause the operator to lose control of the unit. Blade thrust can occur without warning if the blade snags, stalls, or binds. This is more likely to occur in areas where it is difficult to see the material being cut. For cutting ease and safety, approach the weeds being cut with the brushcutter from the right to the left. In the event an unexpected object or woody stock is encountered, this practice could minimise the blade thrust reaction.

Before each use check for damaged/worn parts

Check the blade, guard and front-assist handle and replace any parts that are cracked, warped, bent, or damaged in any way.

The edge of the blade can dull over time. It is recommended that you turn over the blade to extend the life of the blade and periodically sharpen it (performed by a qualified service technician) or replace it with a new blade when necessary.

Clean the brushcutter after each use

See the **MAINTENANCE** section for cleaning instructions.

⚠ WARNING: Ensure the blade has come to a complete stop before cleaning or servicing the brushcutter. Failure to comply could result in possible serious personal injury.

TO START/STOP THE TOOL

See “**STARTING/STOPPING THE POWER HEAD**” section in the power head PH1400E operator’s manual.

MAINTENANCE

⚠ WARNING: Before inspecting, cleaning or servicing the unit, stop the motor, wait for all moving parts to stop, and remove the battery pack. Failure to follow these instructions can result in serious personal injury or property damage.

⚠ WARNING: When servicing, use only identical replacement parts. Use of any other parts may create a hazard or cause product damage. To ensure safety and reliability, all repairs should be performed by a qualified service technician.

⚠ WARNING: Always wear heavy gloves when installing or removing the blade or performing any maintenance on the blade. Be careful of the blade and protect your hands from being injured by the blade.

GENERAL MAINTENANCE

Avoid using solvents when cleaning plastic parts. Most plastics are susceptible to damage from various types of commercial solvents and may be damaged by their use. Use clean cloths to remove dirt, dust, oil, grease, etc.

CLEAN THE UNIT

- Remove the battery
- After each use, clean the debris, clogged soils or grass on the blade and guard with a soft brush.
- Wipe the tool surface with a clean cloth moistened with a mild soap solution.
- Use a small brush or a small vacuum cleaner to clean the air vents on the rear housing.
- Keep the air vents free of obstructions.

When the blade becomes dull, both of the edges of the blade are dull, please sharpen it performed by a qualified service technician or replace with a new blade as necessary.

REPLACING THE BLADE

⚠ WARNING: A worn, cracked, or damaged blade can break and pieces of the damaged blade can become dangerous projectiles. Thrown objects can cause serious injury. Inspect the blade regularly and do not operate the brushcutter with a worn or damaged blade.

⚠ WARNING: Use proper eye protection while removing, sharpening, and installing the blade.

To remove the blade

1. Remove the battery.
2. Rotate the outer flange to align the slot in the inner flange with the shaft-locking hole in the gear case and insert the hex wrench provided into the aligned holes to act as a stabiliser as steps 2 & 3 shown in “**MOUNTING THE BLADE**” section.
3. Position the brushcutter head against a solid surface for support. With one hand grasping the blade and use the other hand to grasp the multi-function wrench provided to loosen the nut in the direction of the arrow marked on the outer flange and remove the nut, the outer flange and the worn blade (Fig. L).
4. Check and replace the inner flange and the flange cover if they are worn (Fig. M).
5. Install the new blade onto the motor shaft as sequence shown in Fig. M. Details follow the steps instructed in step 5, 6 & 7 in “**MOUNTING THE BLADE**” section.

TRANSMISSION GEARS LUBRICATION

The transmission gears in the gear case need be lubricated periodically with gear grease. Check the gear case grease level about every 50 hours of operation by removing the sealing screw on the side of the case.

If no grease can be seen on the flanks of the gear, follow the steps below to fill with gear grease up to 3/4 capacity.

Do not completely fill the transmission gears.

1. Hold the brushcutter so the sealing screw is facing upwards (Fig. N).
2. Use the multi-function wrench provided to loosen and remove the sealing screw.
3. Use a grease syringe (not included) to inject some grease into the screw hole.
4. Tighten the sealing screw after injection.

STORING THE UNIT

- Remove the battery pack from the tool.
- Wear heavy gloves to clean the tool thoroughly.
- Mount the blade sheath onto the blade for safe storage (Fig. 0).
- Remove the brushcutter attachment from the power head and cover the end cap onto the attachment shaft terminal, if necessary.
- Store the unit in a dry, well-ventilated area, locked-up or up high, out of the reach of children. Do not store the unit on or adjacent to fertilisers, petrol, or other chemicals.

Protecting the environment



Do not dispose of electrical appliances as unsorted municipal waste, use separate collection facilities.

Contact your local government for information regarding the collection systems available.

If electrical appliances are disposed of in landfills or dumps, hazardous substances can leak into the groundwater and get into the food chain, damaging your health and well-being.

TROUBLESHOOTING

PROBLEM	CAUSE	SOLUTION
Brushcutter fails to start.	<ul style="list-style-type: none"> ■ The battery pack is not attached to the power head. ■ No electrical contact between the power head and the battery pack. ■ The battery pack is depleted. ■ The lock-off lever and trigger are not depressed simultaneously. 	<ul style="list-style-type: none"> ■ Attach the battery pack to the power head. ■ Remove battery, check contacts and reinstall the battery pack until it snaps into place. ■ Charge the battery pack with EGO chargers listed in this manual. ■ Press down the lock-off lever and hold it, then depress the trigger to turn on the brushcutter.
Brushcutter stops while cutting.	<ul style="list-style-type: none"> ■ The motor is overloaded. ■ The battery pack or the power head is too hot. ■ The battery pack is disconnected from the tool. ■ The battery pack is depleted. 	<ul style="list-style-type: none"> ■ The motor will recover when the load is removed. For continuous working, decrease the load on the power head. ■ Allow the battery pack or the power head to cool until the temperature drops below 152°F (67°C). ■ Re-install the battery pack. ■ Charge the battery pack with EGO chargers listed in this manual.



WARRANTY

EGO WARRANTY POLICY

5 year warranty on EGO outdoor power equipment and 3 year warranty on EGO Power+ System battery packs and chargers.

Please contact EGO customer service on Australia 1300 000 EGO (1300 000 346), New Zealand 0508 000 EGO (0508 000 346) any time you have questions or warranty claims.

LIMITED SERVICE WARRANTY

FOR FIVE YEARS from the date of original retail purchase, this EGO product is warranted against defects in material or workmanship. Defective product will receive free repair.

FOR THREE YEARS from the date of original retail purchase, the EGO Power+ System battery pack and charger are warranted against defects in material or workmanship. Defective product will receive free repair.

This warranty does not cover the blade, which is a part that can wear out from normal use within the warranty period.

- This warranty applies only to the original purchaser at retail and may not be transferred.
- The warranty period for any EGO product or part used for industrial, professional or commercial purpose is one year.
- This warranty is void if the product has been used for rental purpose.
- This warranty does not cover the damage resulting from modification, alteration or unauthorised repair.
- This warranty only covers defects arising under normal usage and does not cover any malfunction, failure or defect resulting from misuse, abuse (including overloading of the product beyond capacity and exposure to water or rain), accidents, neglect or lack of proper installation, and improper maintenance or storage.
- This warranty does not cover normal deterioration of the exterior finish, including but not limited to scratches, dents, paint chips, or to any corrosion or discoloring by heat, abrasive and chemical cleaners.

HOW TO OBTAIN SERVICE

For warranty service, please contact EGO customer service on Australia 1300 000 EGO (1300 000 346), New Zealand 0508 000 EGO (0508 000 346). When requesting warranty service, you must present the original dated sales receipt. An authorized service center will be selected to repair the product according to the stated warranty terms.

ADDITIONAL LIMITATIONS

Chervon Australia Pty Ltd ABN 36 165 077 501 ("Chervon") warrants to the original domestic purchaser that this product will be free from defects in materials and workmanship for 5 years from date of purchase, and any battery or charger will be free from defects in materials and workmanship for 3 years from date of purchase. To make a claim, return the faulty item together with proof of purchase directly to your closest service agent or to the place of purchase. Any handling and transportation costs (and other expenses incurred in claiming this warranty) are not covered by this warranty and will not be borne by Chervon. The replacement product or part or repaired product will be made available for your collection at an address nominated by Chervon. Where a valid warranty claim is made, Chervon will replace the defective product or repair the fault. Where the product is repaired, Chervon may use refurbished parts. This warranty does not cover normal wear and tear, misuse or abuse. This warranty may also be further limited or voided as specifically detailed in the product Manual. Chervon has no other liability under this warranty. The benefits to you given by this warranty are in addition to other rights and remedies imposed by State and Federal legislation that cannot be excluded. Our goods come with guarantees that cannot be excluded under the Australian Consumer Law. You are entitled to a replacement or refund for a major failure and compensation for any other reasonably foreseeable loss or damage. You are also entitled to have the goods repaired or replaced if the goods fail to be of acceptable quality and the failure does not amount to a major failure. Chervon Australia Pty Ltd, Unit 13, 1488 Ferntree Gully Rd, Knoxfield, VIC. 3180. Phone Number: Australia 1300 000 EGO (1300 000 346), New Zealand 0508 000 EGO (0508 000 346). Email address: support@egopowerplus.com.au.

