



OPERATING MANUAL LINE TRIMMER SPOOL MODEL NUMBER AS1200E

This pre-wound trimmer spool is for use only with the EGO line trimmer ST1200E.

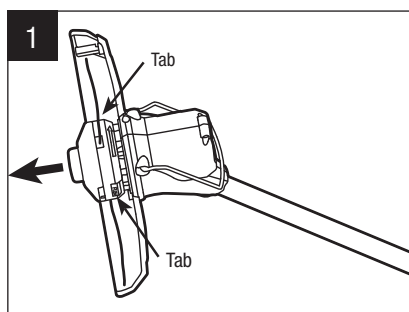
⚠ WARNING: To prevent serious personal injury, remove the battery pack from the tool before servicing, cleaning, changing attachments or removing material from the trimmer.

⚠ WARNING: When servicing, use only identical EGO replacement parts. Use of any other accessory or attachment may increase the risk of injury.

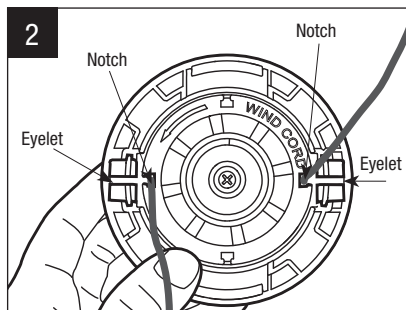
⚠ WARNING: Replace a cracked, damaged or worn-out trimmer head immediately, even if damage is limited to superficial cracks. Such attachments may shatter at high speed and cause serious or fatal injury.

HOW TO REPLACE THE LINE TRIMMER SPOOL

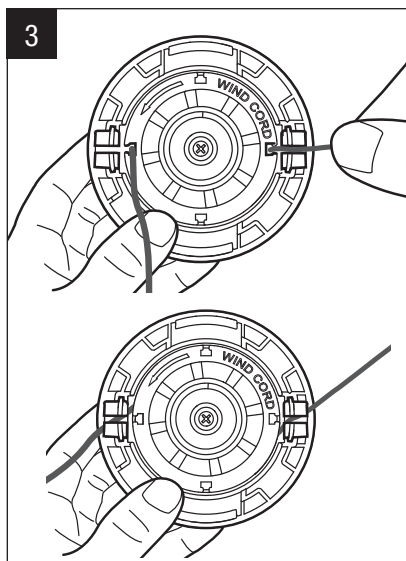
1. Press the release tabs on the spool retainer and remove the retainer by pulling it straight out (Fig. 1).



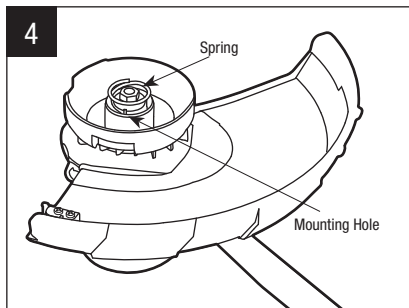
2. Remove the spool. Use a clean cloth to clean the inner surface of the spool base.
3. Note the notches from which the lines protrude in the new spool. Align the notches with the eyelets in the spool retainer and position the spool in the retainer (Fig. 2).



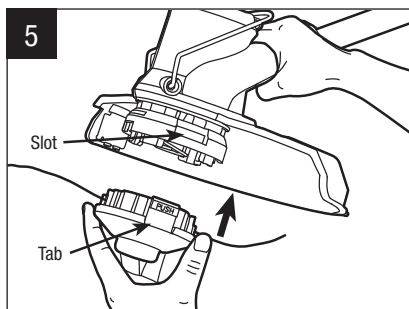
4. Holding both the spool and spool retainer, grasp the line and pull it to release the line from the notch in the eyelet (Fig. 3).



5. Check to see if the spring is properly positioned in the spool base. If it comes loose or drops out, position the spring in the mounting hole of the spool base and press the spool in place (Fig. 4).



6. With the spool base facing downward, align the tabs on the spool retainer with the slots in the spool base and press the retainer evenly down until it snaps into place (Fig. 5).



Need Help?

For all enquiries, please call EGO Customer Service on 1300 000 EGO (1300 000 346)

EGOPOWERPLUS.COM.AU
